



BORA

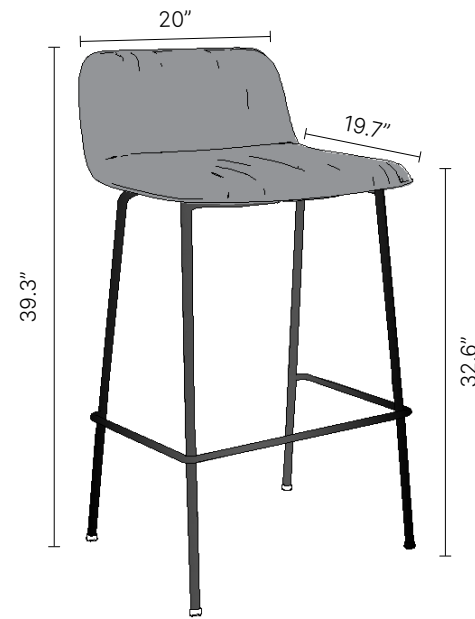
Dual upholstery is available at an additional charge. The textile details and the location of the textiles on the product must be specified.

The following stitch designs are available X, S, Z, T, and O. When specifying a special stitch select the type of stitch and the color of the thread referencing our standard RAL colors as a guide and we will match the color accordingly.

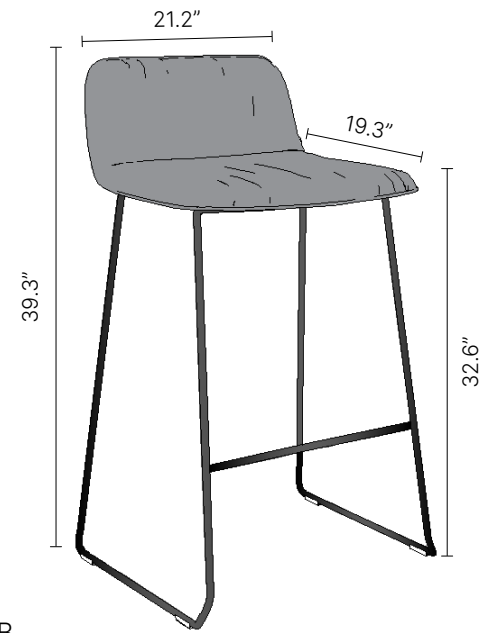
SPECIAL STITCHING*

'X' TYPE STITCHING	
'S' TYPE STITCHING	
'Z' TYPE STITCHING	
'T' TYPE STITCHING	
'O' TYPE STITCHING	

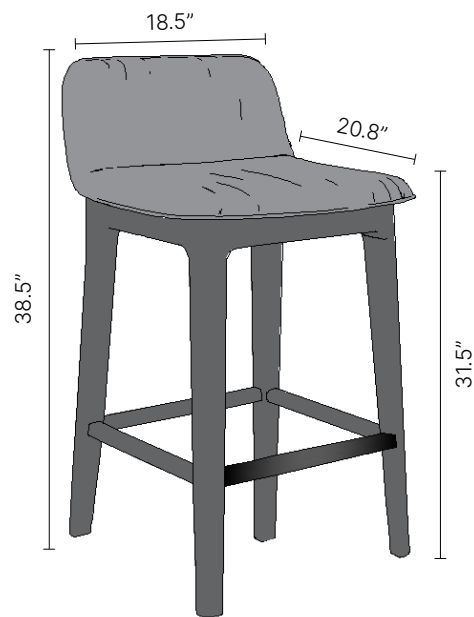
*SUBJECT TO EXTRA COST
*NOT AVAILABLE FOR ALL PRODUCTS



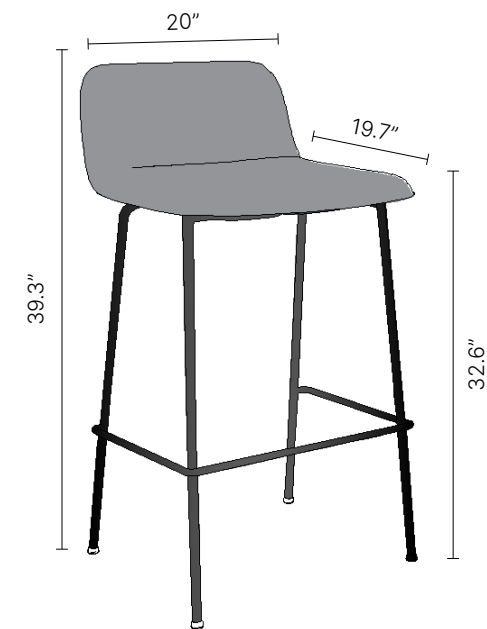
BOBS4LT



BOBSWIB



BOBSWOB

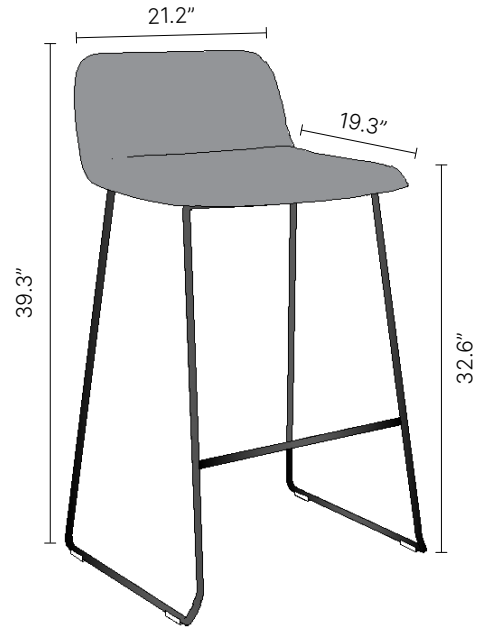


BOBT4LT

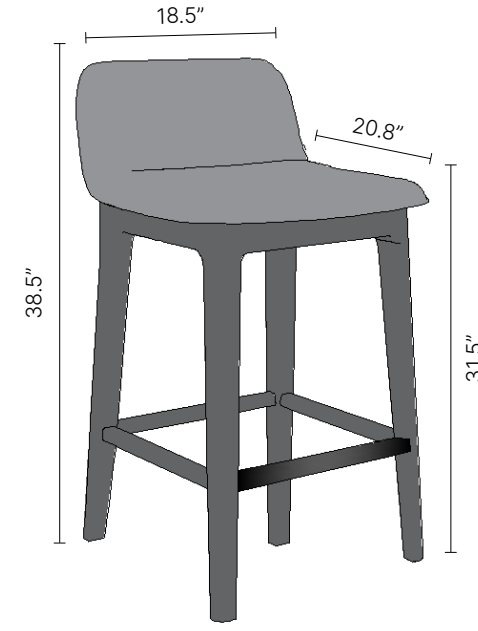


BORA

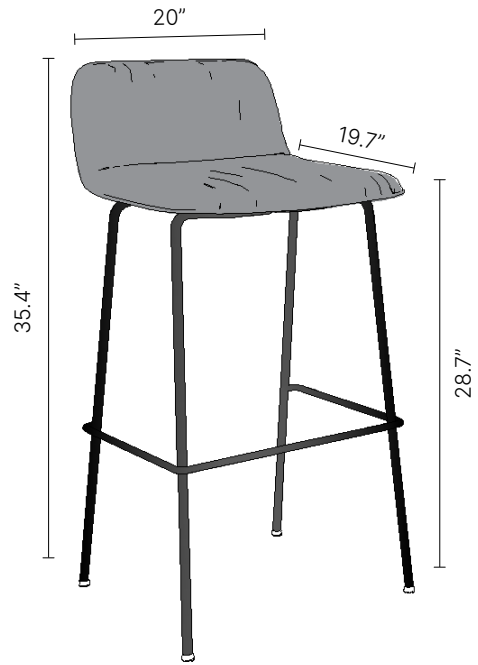
Dual upholstery is available at an additional charge. The textile details and the location of the textiles on the product must be specified.



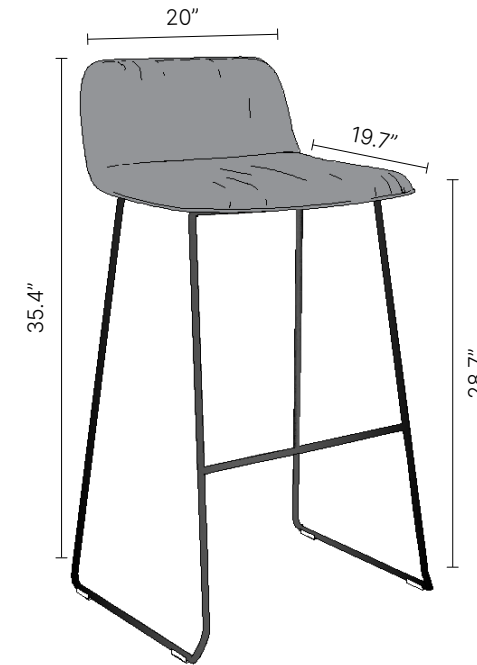
BOBTWIB



BOBTWOB



BOCS4LT

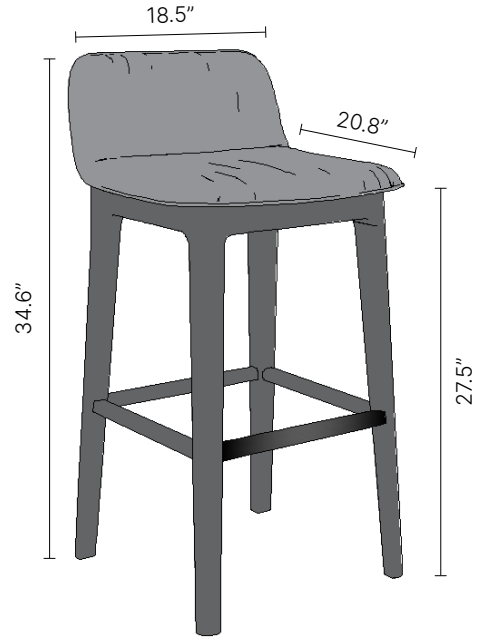


BOCSWIB

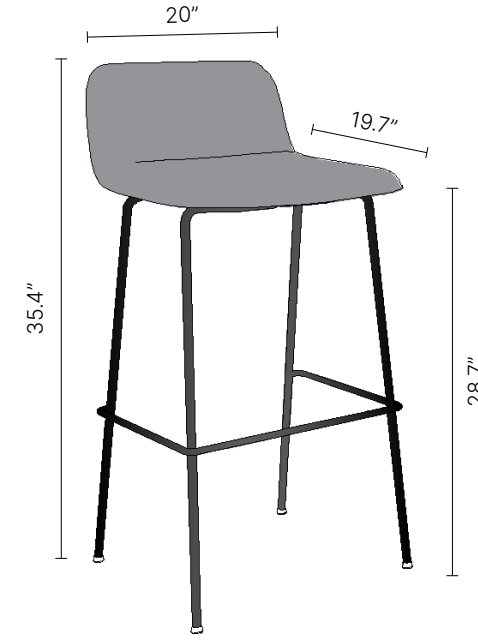


BORA

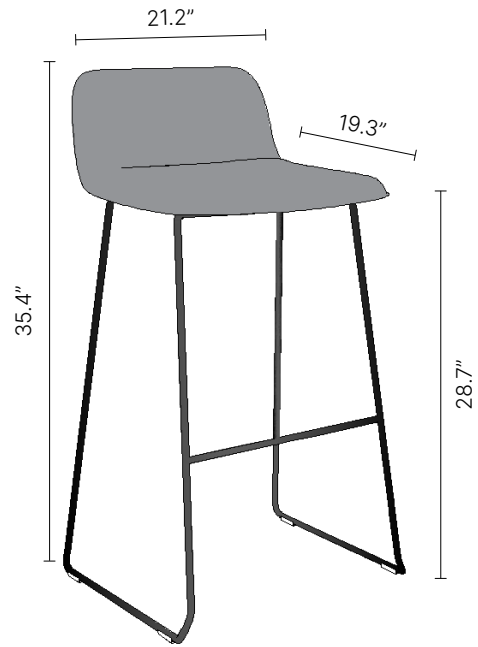
Dual upholstery is available at an additional charge. The textile details and the location of the textiles on the product must be specified.



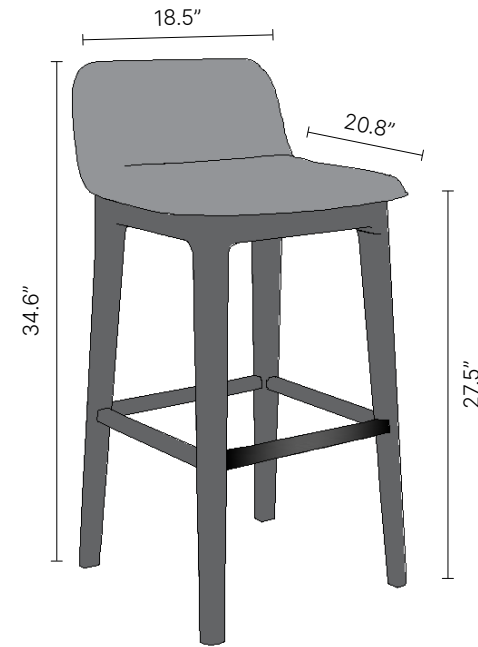
BOCSWOB



BOCT4LT



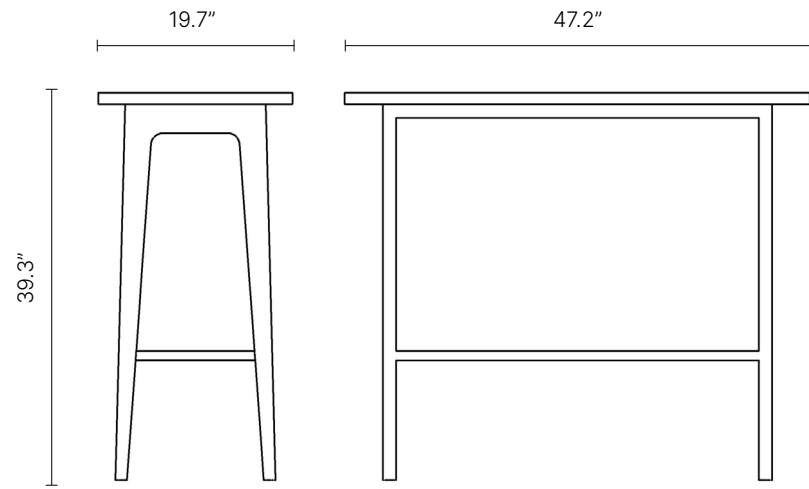
BOCTWIB



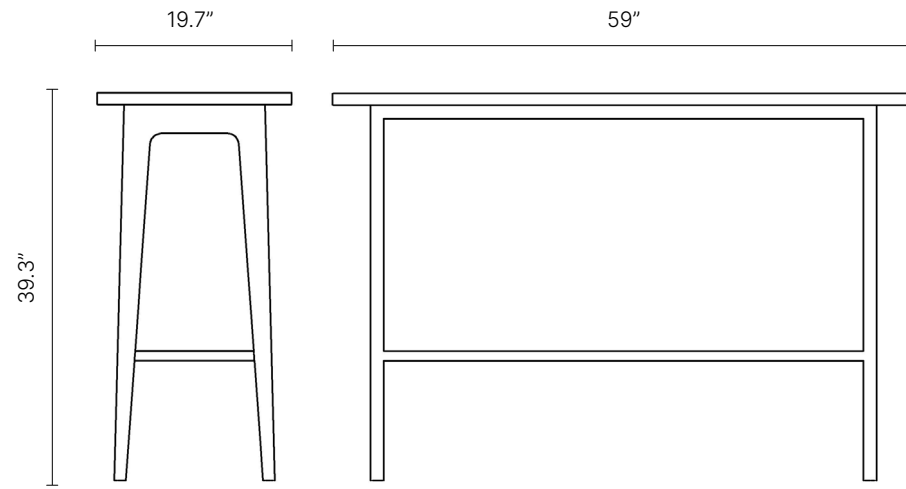
BOCTWOB



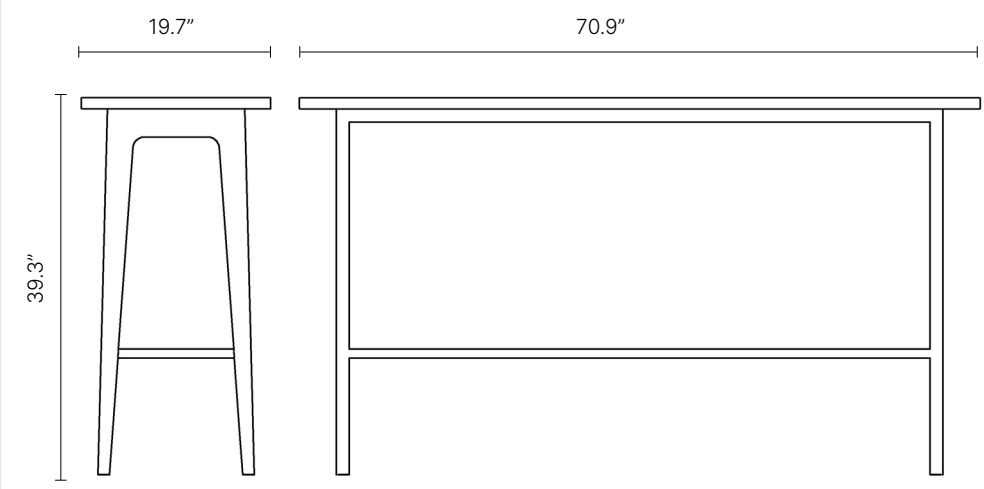
BORA



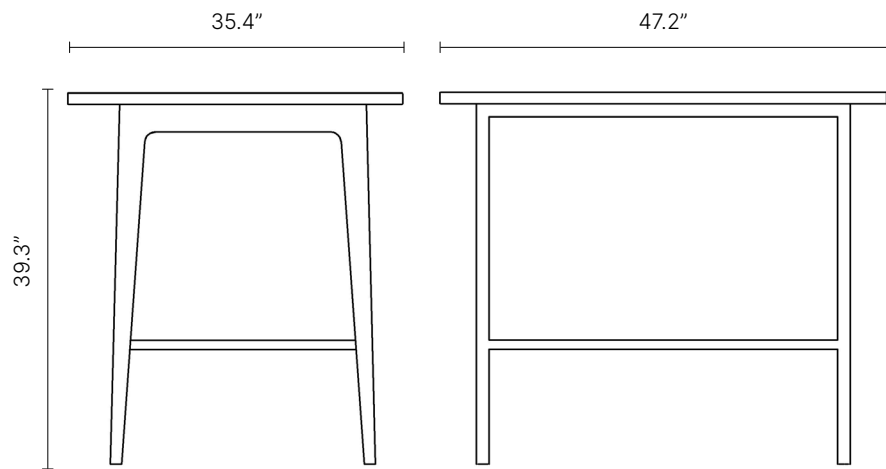
BOBT512



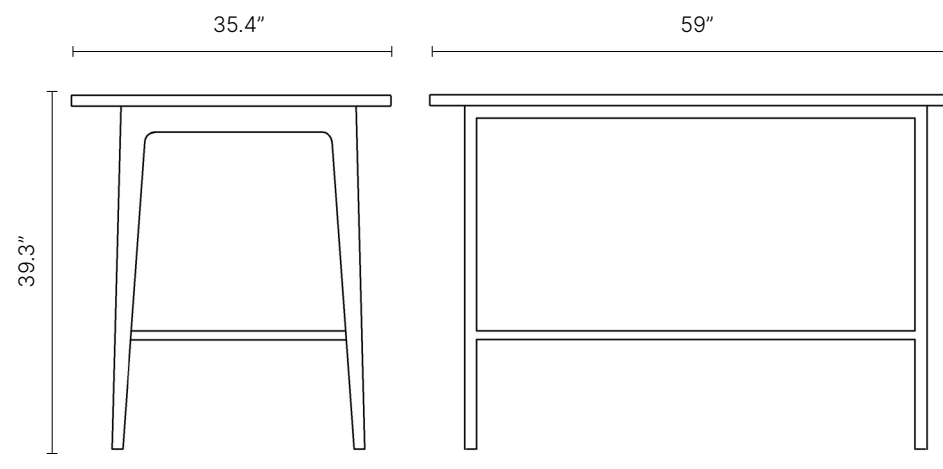
BOBT515



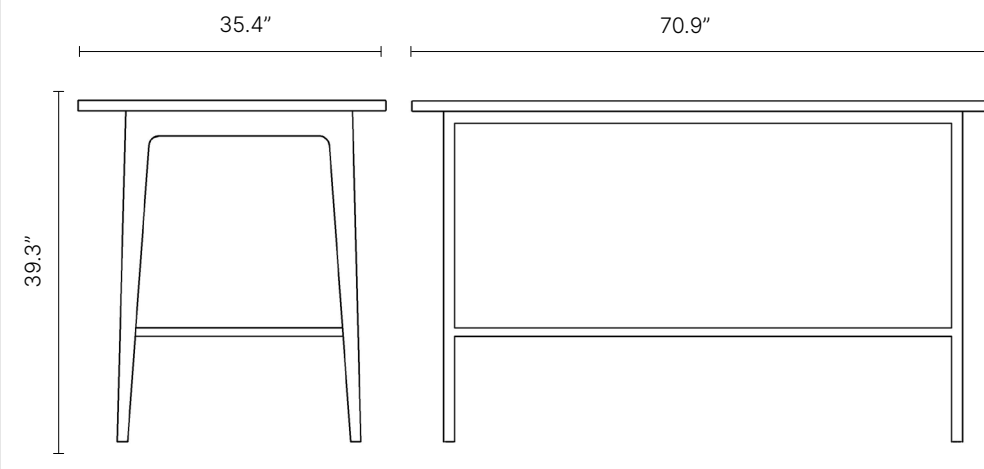
BOBT518



BOBT912



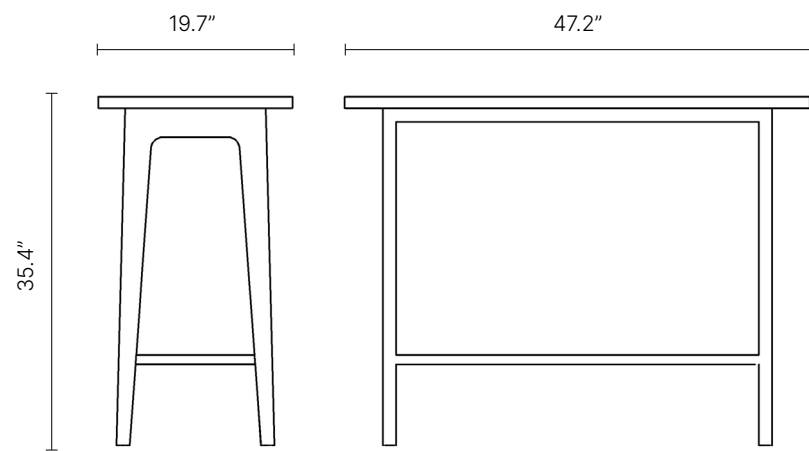
BOBT915



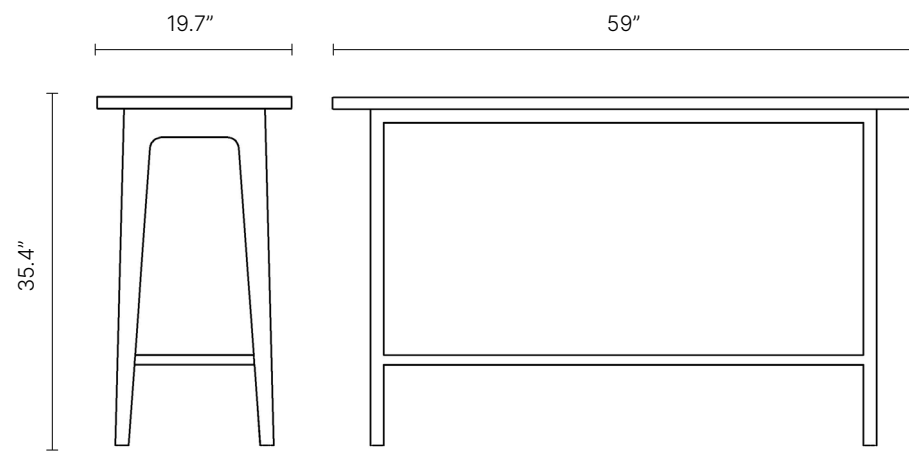
BOBT918



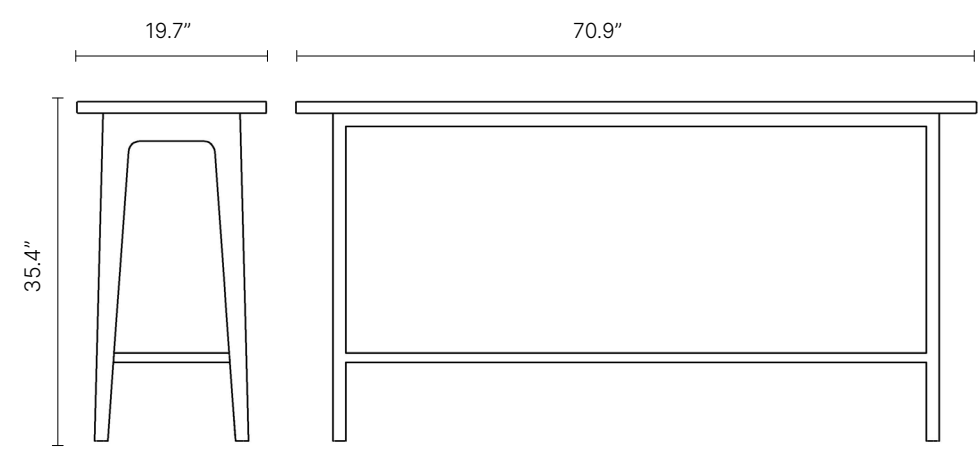
BORA



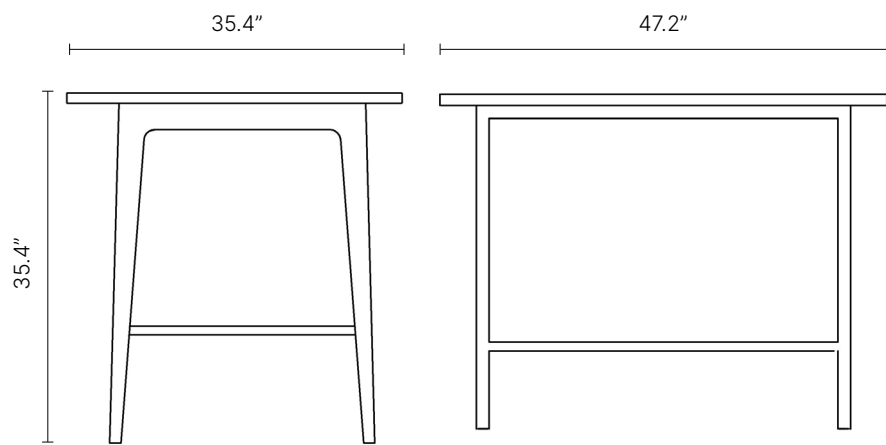
BOCT512



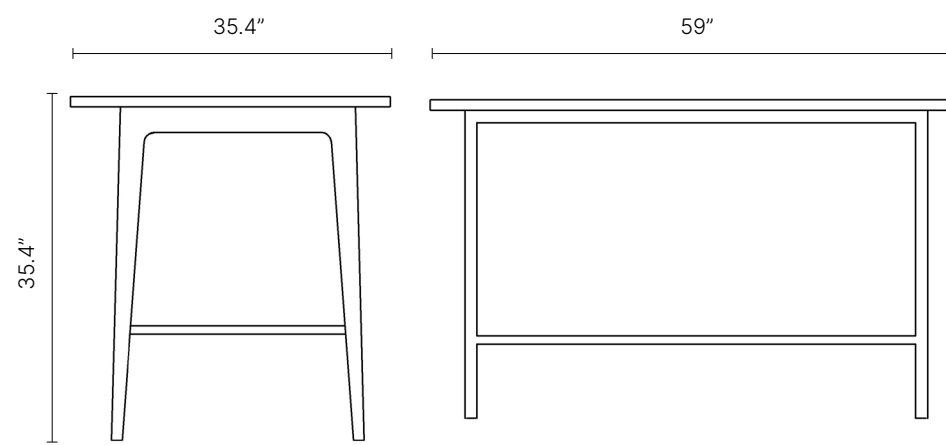
BOCT515



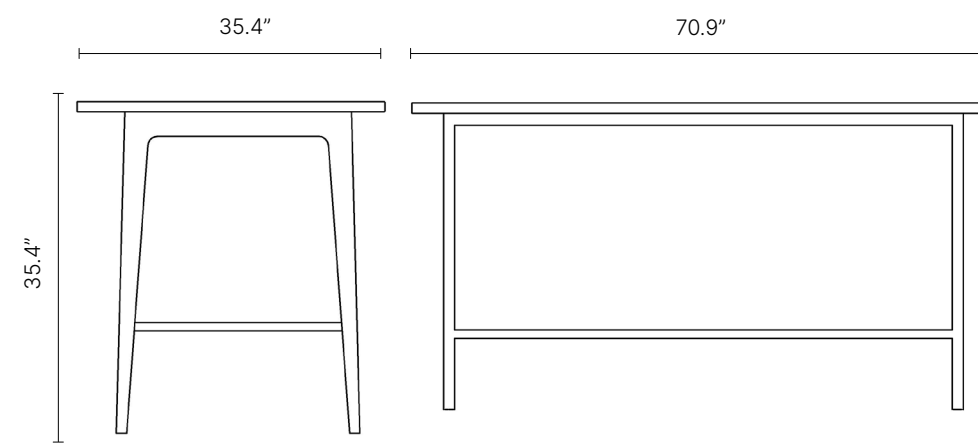
BOCT518



BOCT912



BOCT915



BOCT918