



# BUSSOLA

Dual upholstery is available at an additional charge. The textile details and the location of the textiles on the product must be specified.

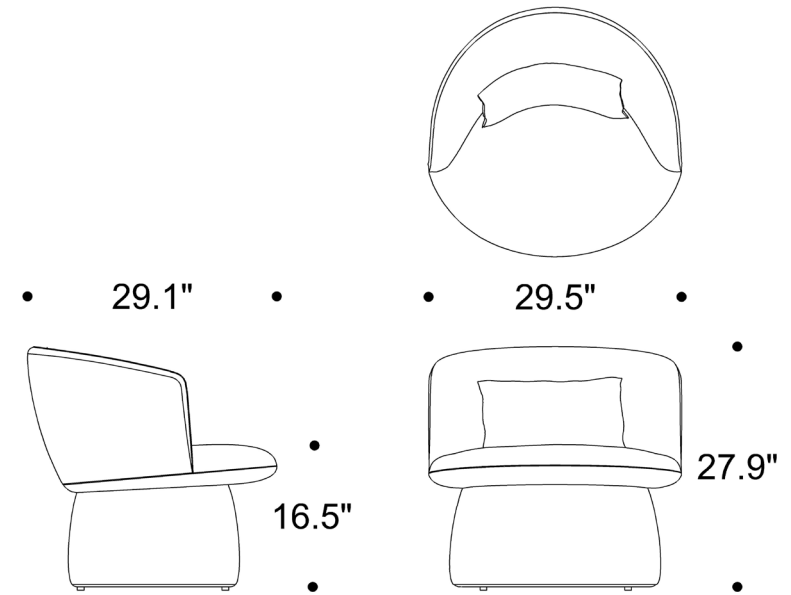
The following stitch designs are available X, S, Z, T, and O. When specifying a special stitch select the type of stitch and the color of the thread referencing our standard RAL colors as a guide and we will match the color accordingly.

### SPECIAL STITCHING\*

'X' TYPE STITCHING	
'S' TYPE STITCHING	
'Z' TYPE STITCHING	
'T' TYPE STITCHING	
'O' TYPE STITCHING	

\*SUBJECT TO EXTRA COST  
\*NOT AVAILABLE FOR ALL PRODUCTS

BSSSS1S



BSSSSFS

