



# CARA SMALL

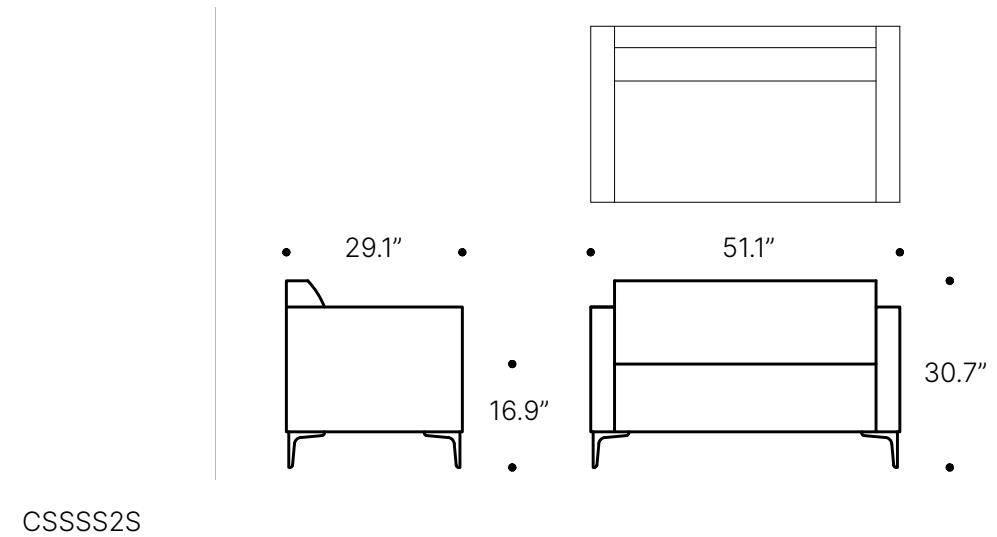
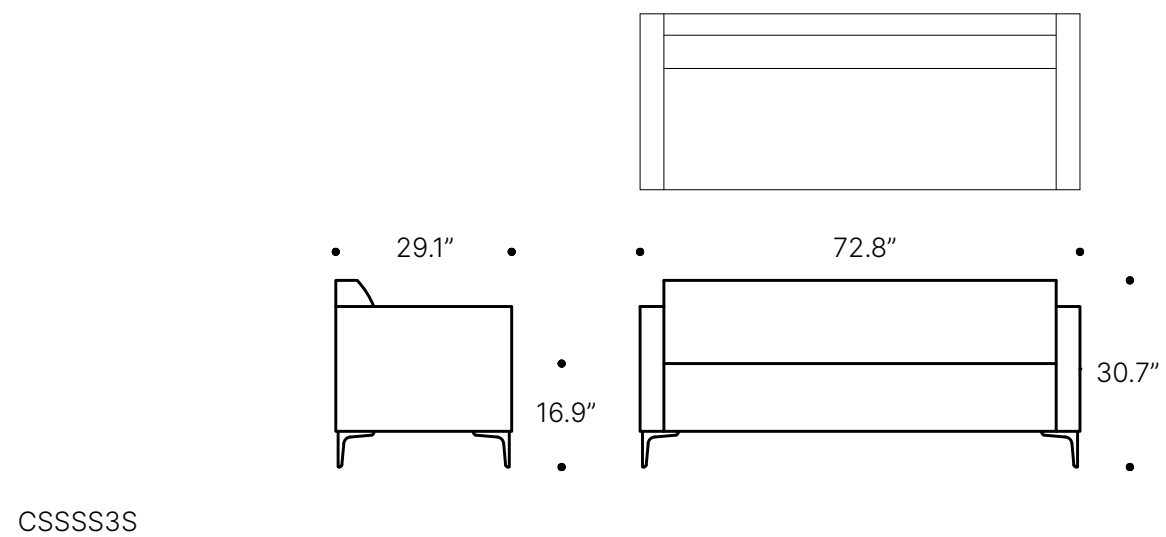
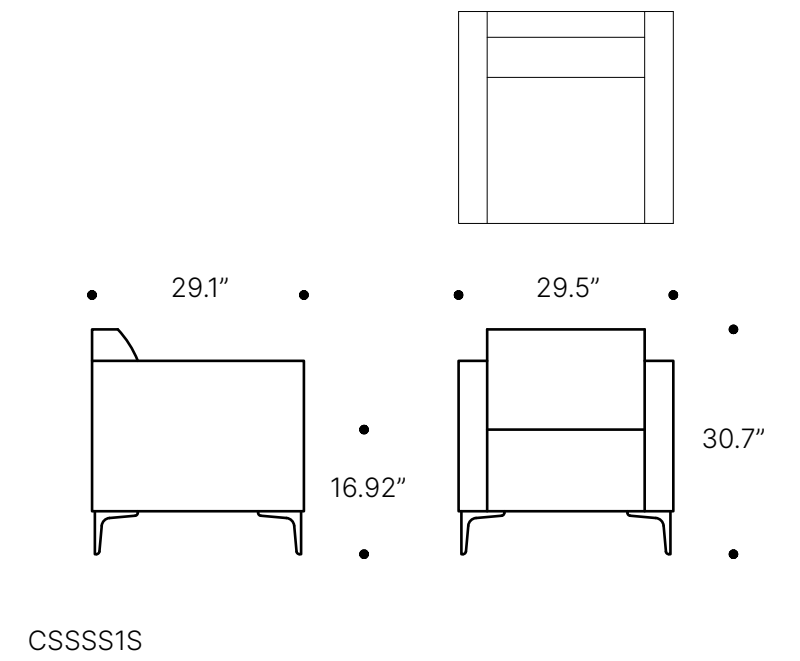
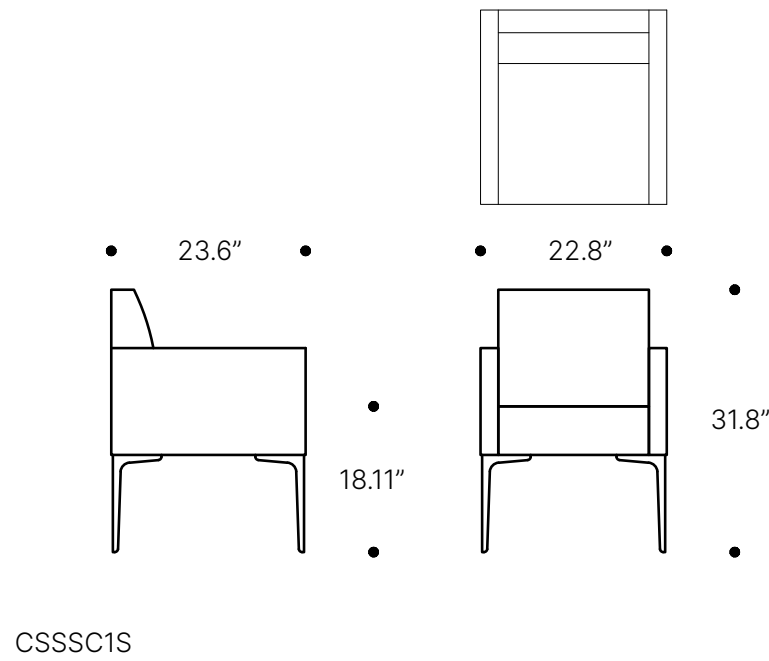
Dual upholstery is available at an additional charge. The textile details and the location of the textiles on the product must be specified.

The following stitch designs are available X, S, Z, T, and O. When specifying a special stitch select the type of stitch and the color of the thread referencing our standard RAL colors as a guide and we will match the color accordingly.

### SPECIAL STITCHING\*

'X' TYPE STITCHING	
'S' TYPE STITCHING	
'Z' TYPE STITCHING	
'T' TYPE STITCHING	
'O' TYPE STITCHING	

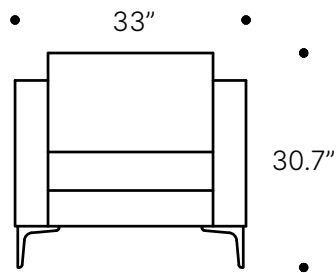
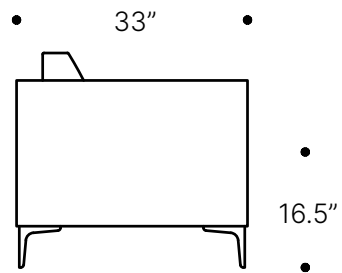
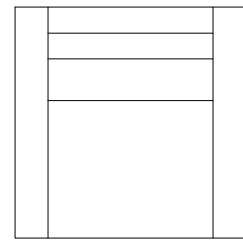
\*SUBJECT TO EXTRA COST  
\*NOT AVAILABLE FOR ALL PRODUCTS



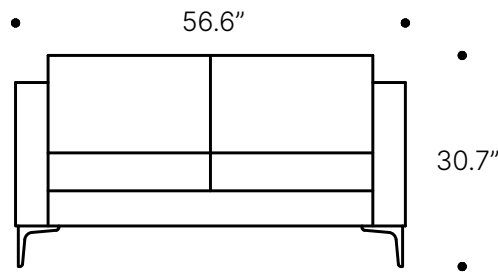
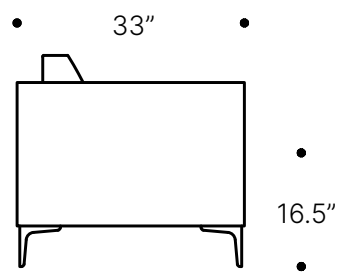
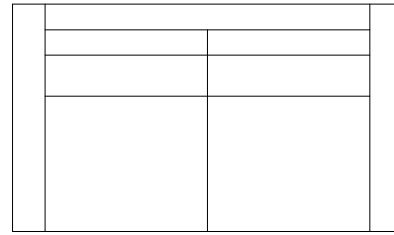


# CARA

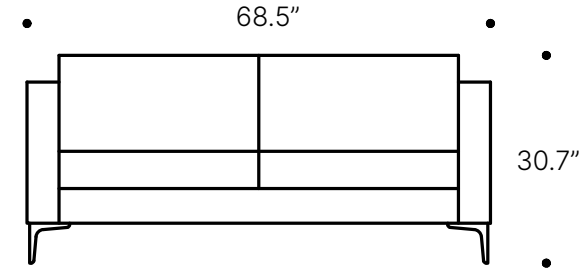
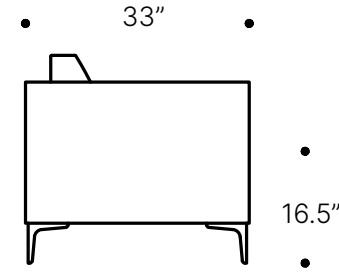
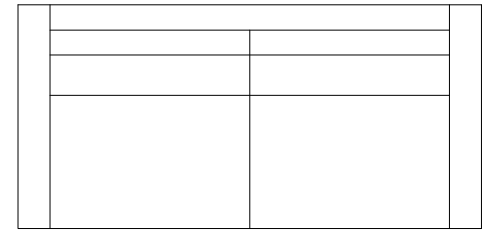
Dual upholstery is available at an additional charge. The textile details and the location of the textiles on the product must be specified.



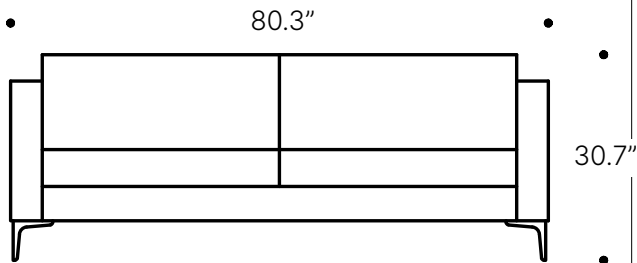
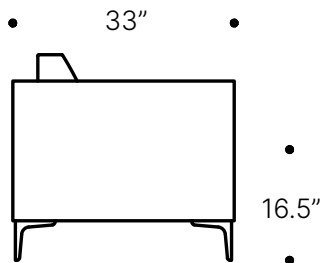
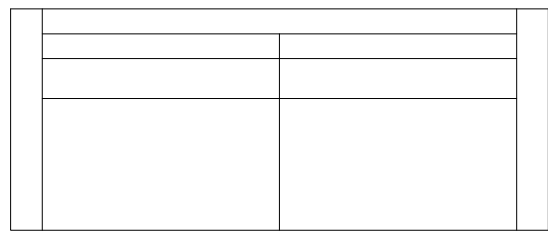
CRSSS1S



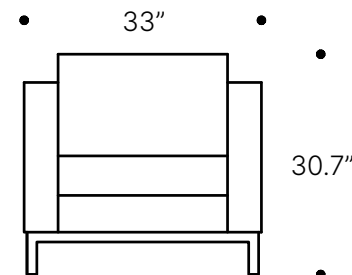
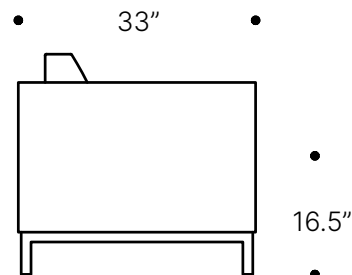
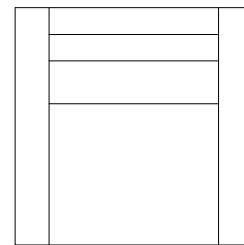
CRSSS2S



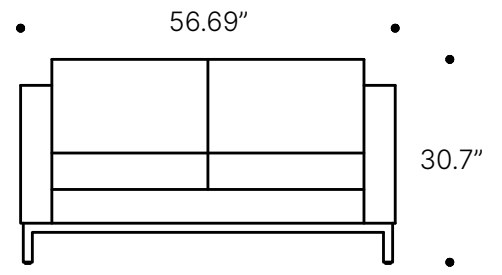
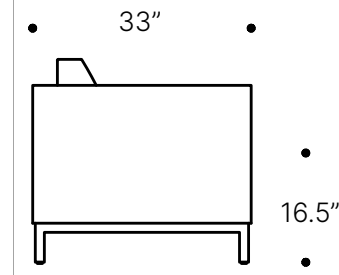
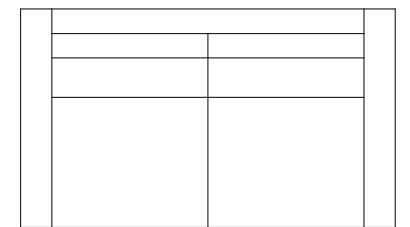
CRSSW2S



CRSSS3S



CRSWS1S

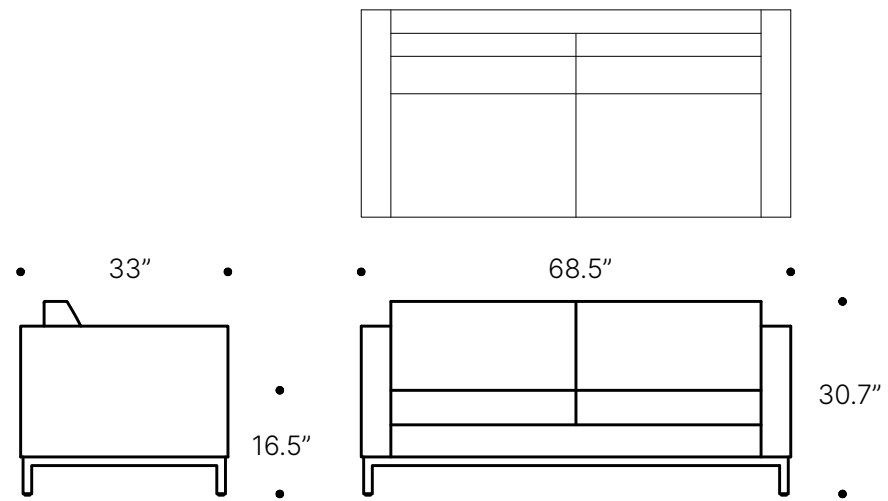


CRSWS2S

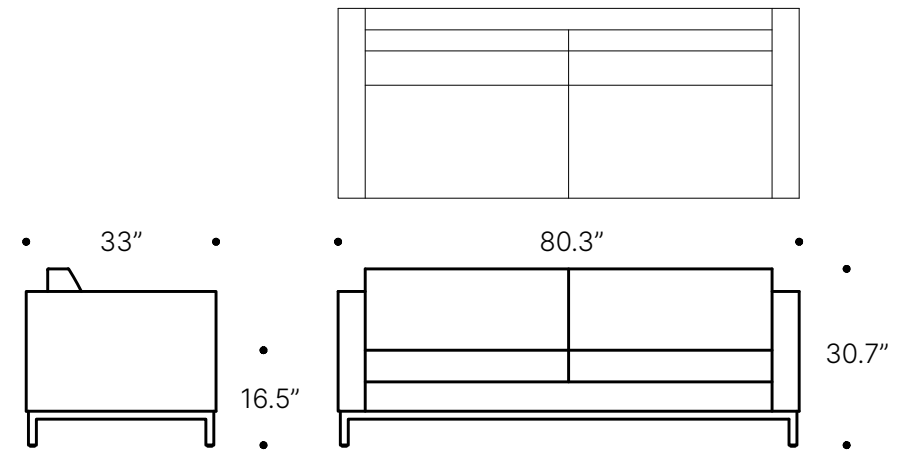


# CARA

Dual upholstery is available at an additional charge. The textile details and the location of the textiles on the product must be specified.



CRSWW2S



CRSWS3S



# CARA HIGH

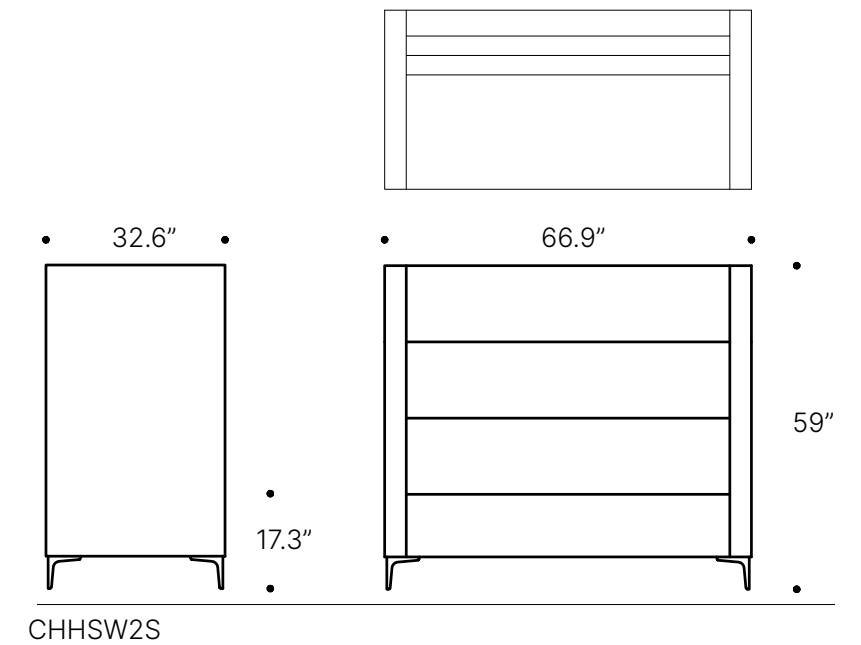
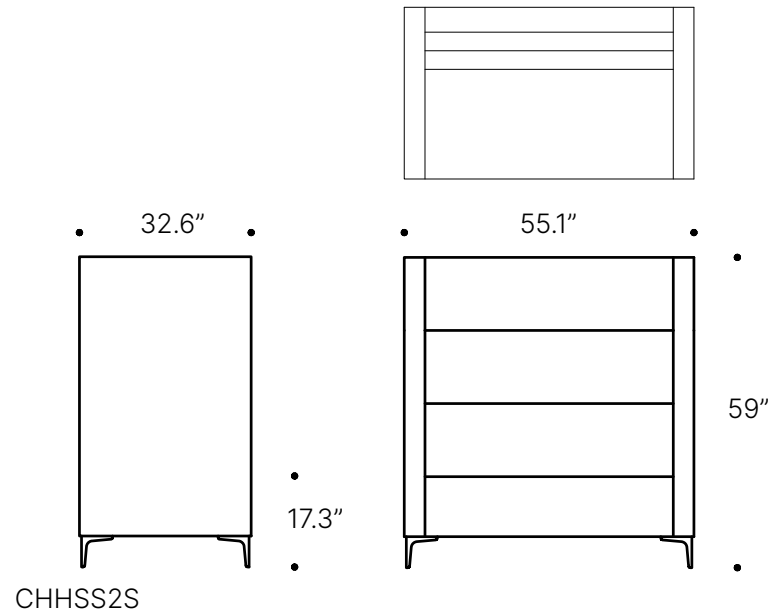
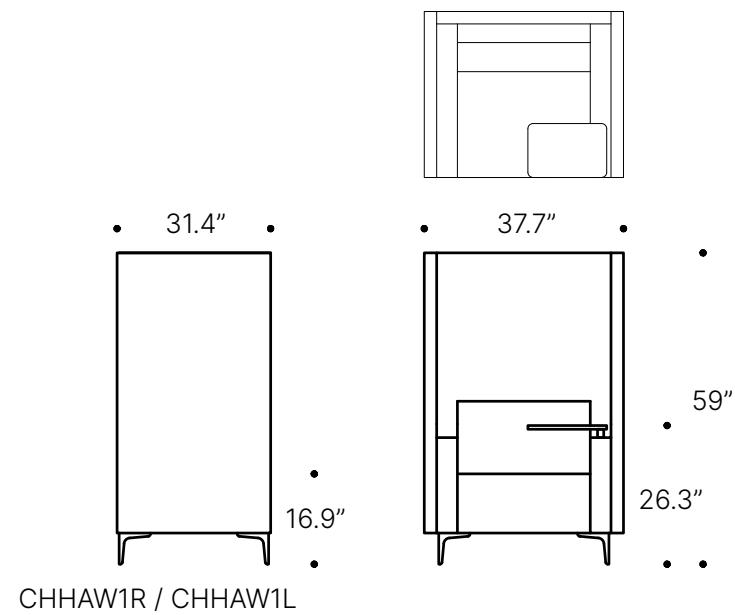
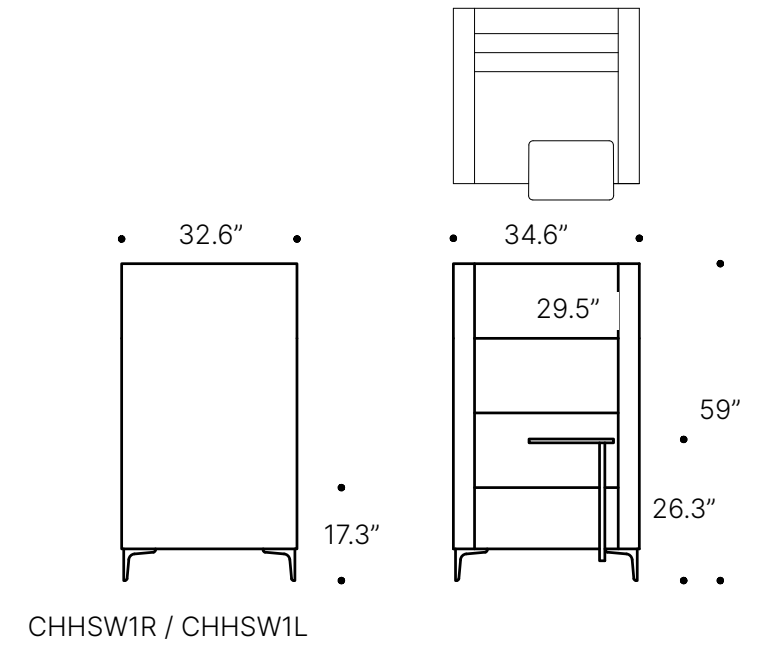
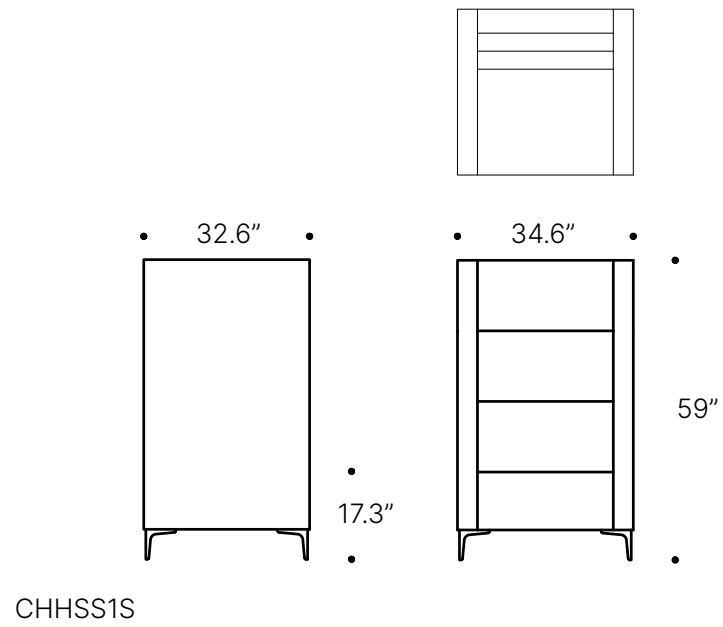
Dual upholstery is available at an additional charge. The textile details and the location of the textiles on the product must be specified.

The following stitch designs are available X, S, Z, T, and O. When specifying a special stitch select the type of stitch and the color of the thread referencing our standard RAL colors as a guide and we will match the color accordingly.

### SPECIAL STITCHING\*

'X' TYPE STITCHING	
'S' TYPE STITCHING	
'Z' TYPE STITCHING	
'T' TYPE STITCHING	
'O' TYPE STITCHING	

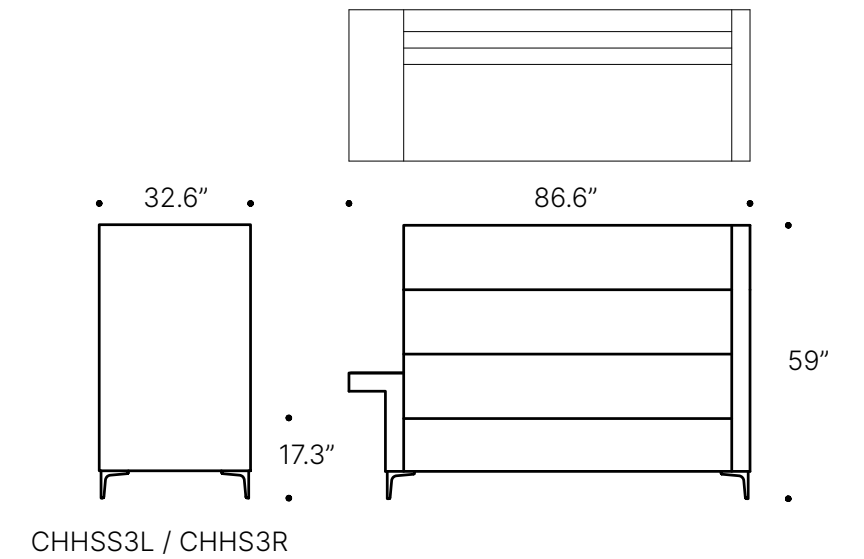
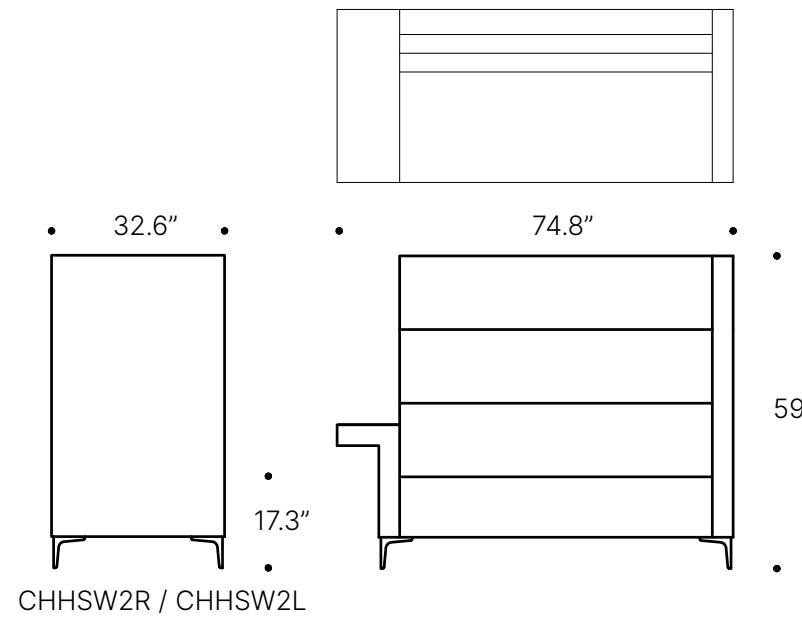
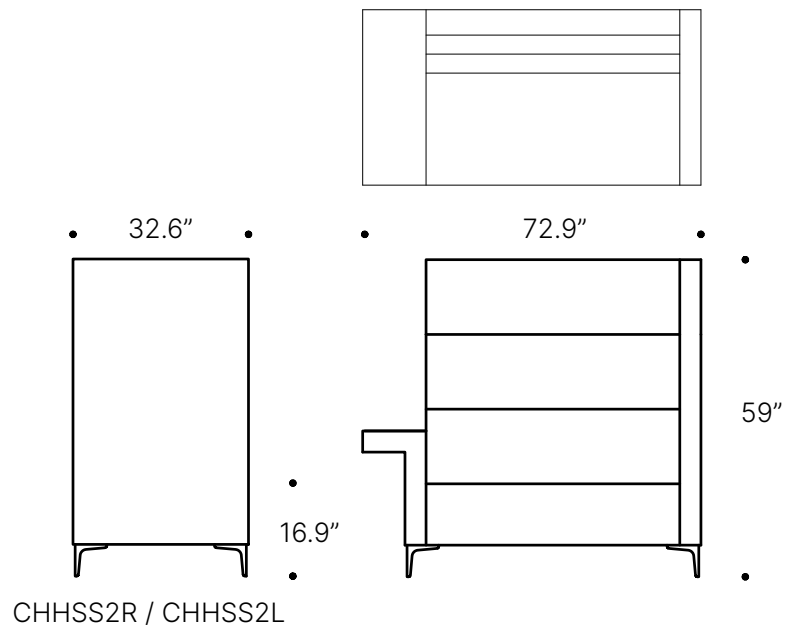
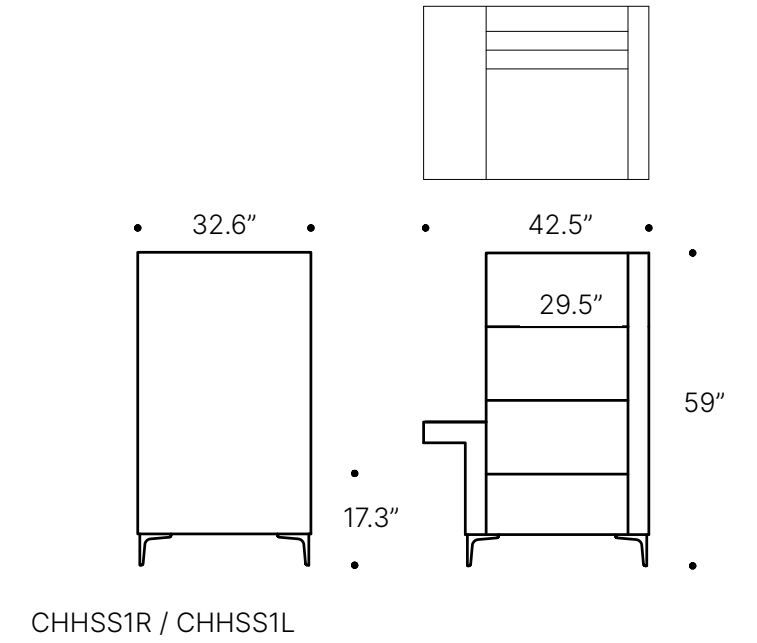
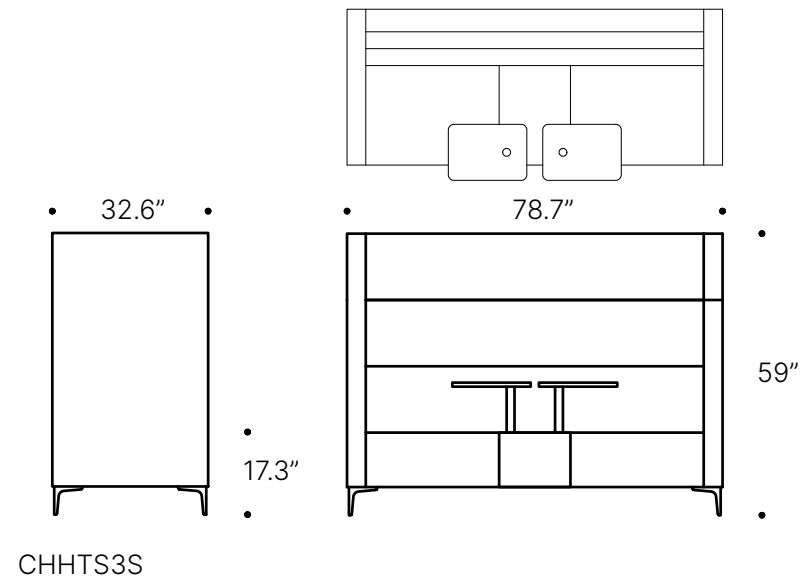
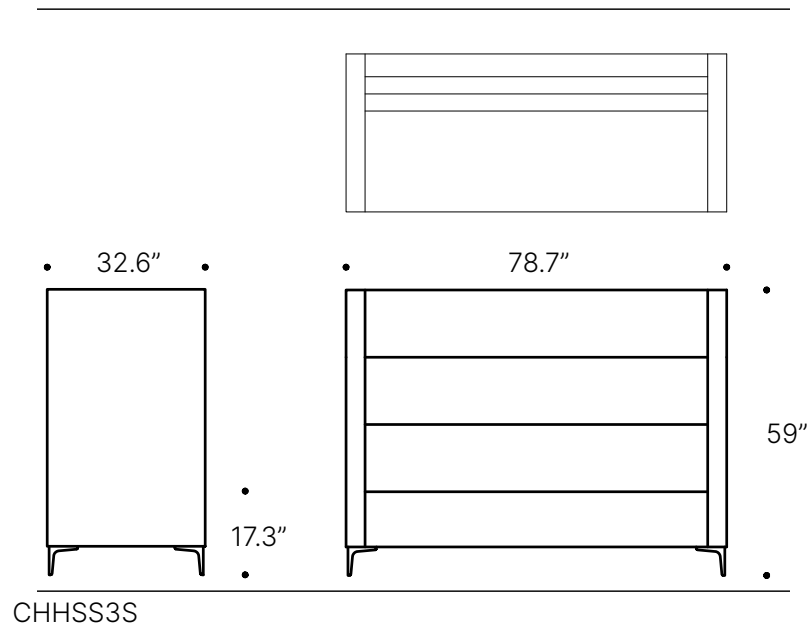
\*SUBJECT TO EXTRA COST  
\*NOT AVAILABLE FOR ALL PRODUCTS





# CARA HIGH

Dual upholstery is available at an additional charge. The textile details and the location of the textiles on the product must be specified.





# CARA EXTRA HIGH

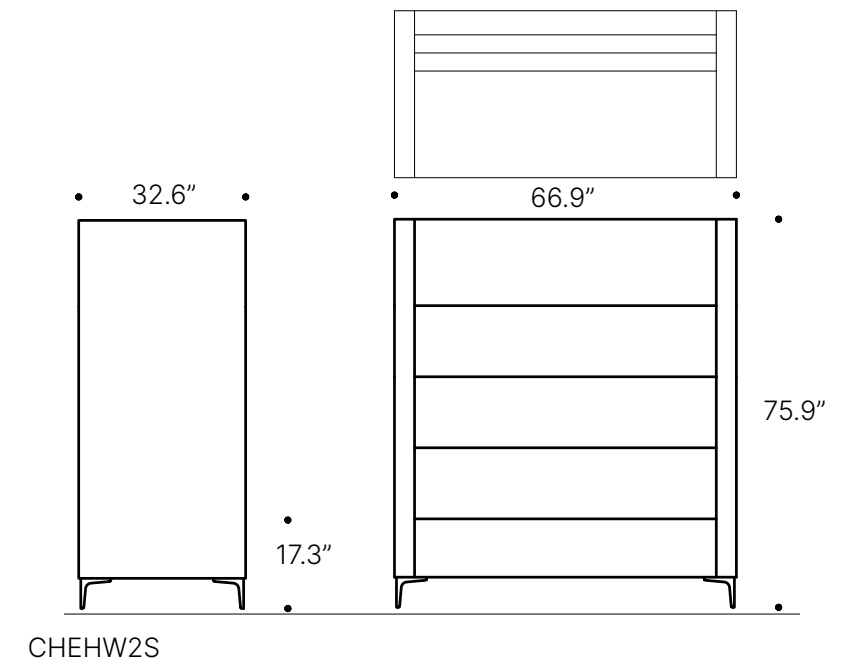
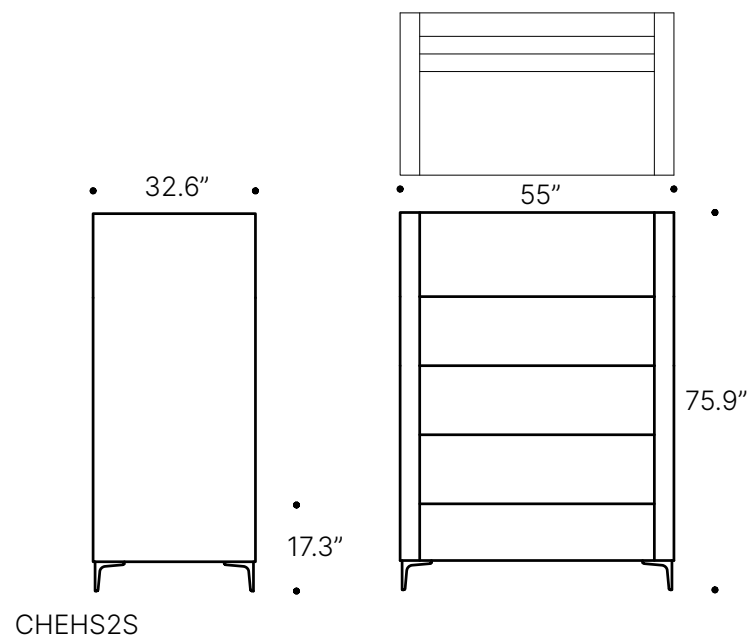
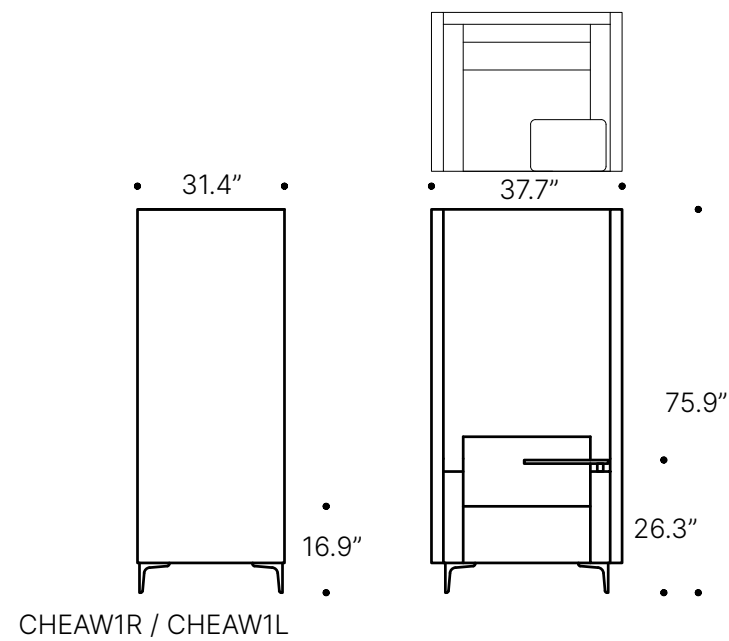
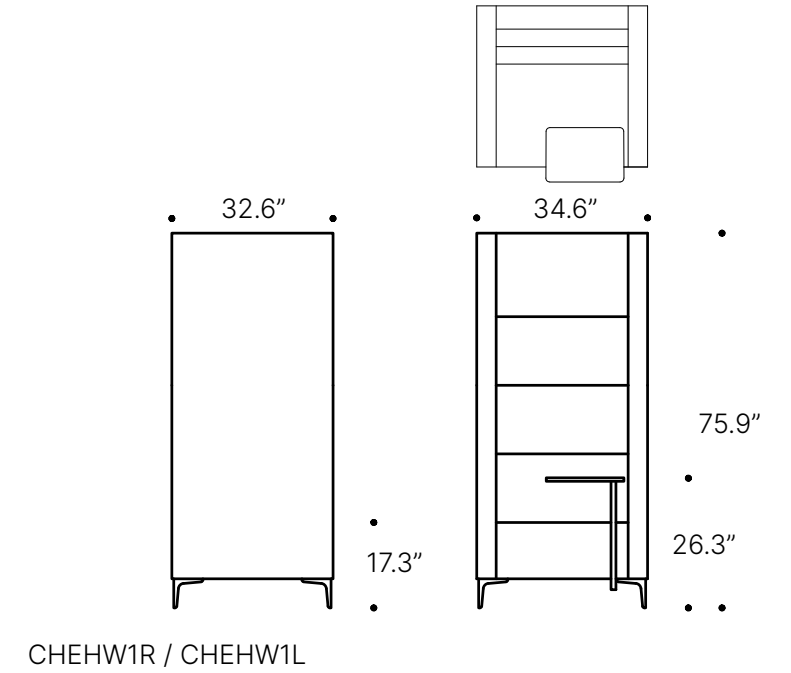
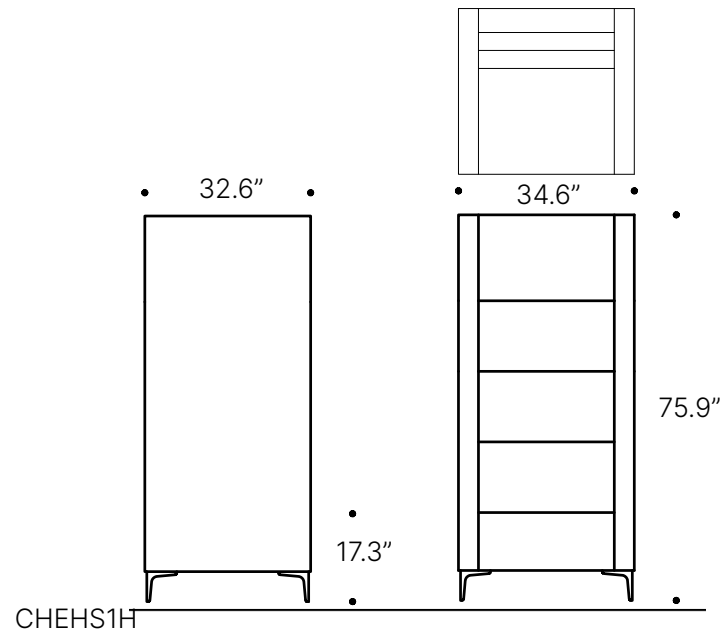
Dual upholstery is available at an additional charge. The textile details and the location of the textiles on the product must be specified.

The following stitch designs are available X, S, Z, T, and O. When specifying a special stitch select the type of stitch and the color of the thread referencing our standard RAL colors as a guide and we will match the color accordingly.

### SPECIAL STITCHING\*

'X' TYPE STITCHING	
'S' TYPE STITCHING	
'Z' TYPE STITCHING	
'T' TYPE STITCHING	
'O' TYPE STITCHING	

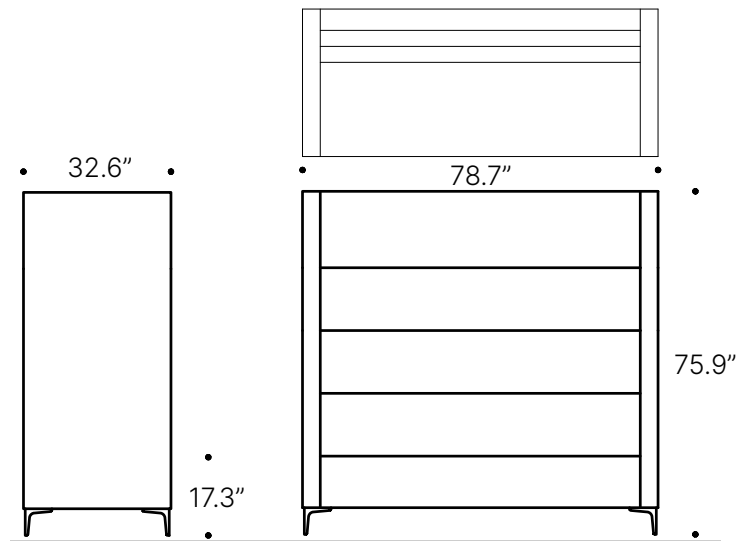
\*SUBJECT TO EXTRA COST  
\*NOT AVAILABLE FOR ALL PRODUCTS



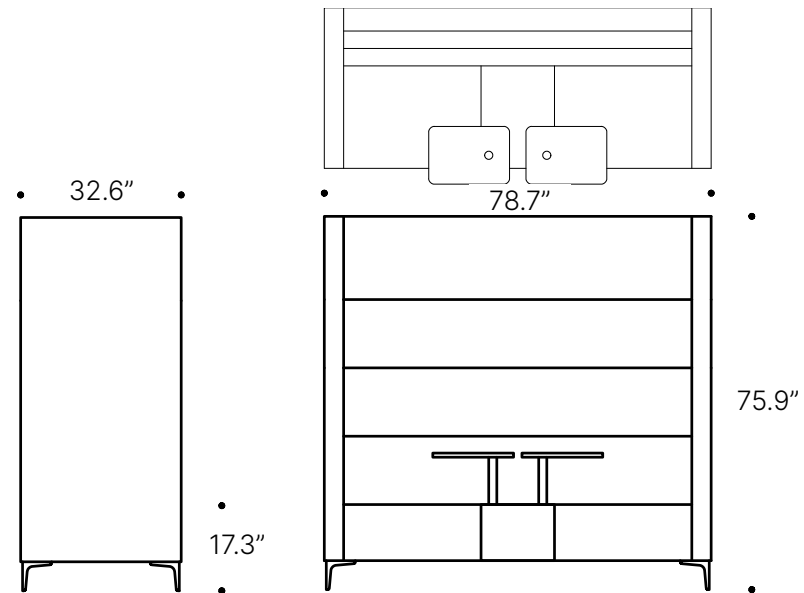


# CARA EXTRA HIGH

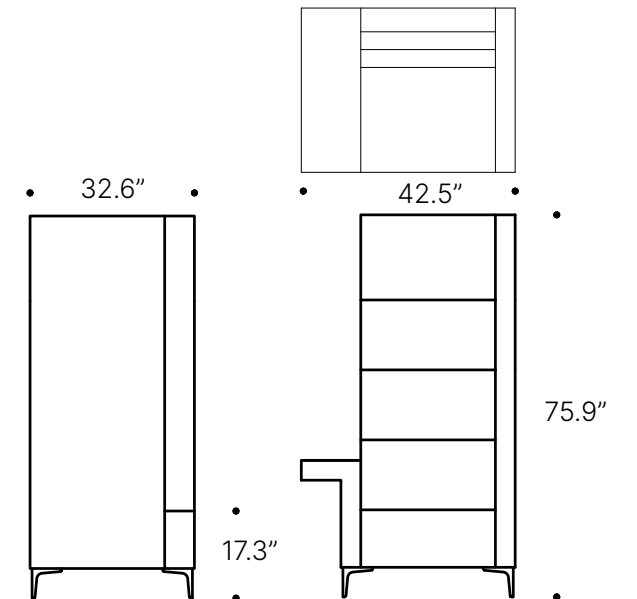
Dual upholstery is available at an additional charge. The textile details and the location of the textiles on the product must be specified.



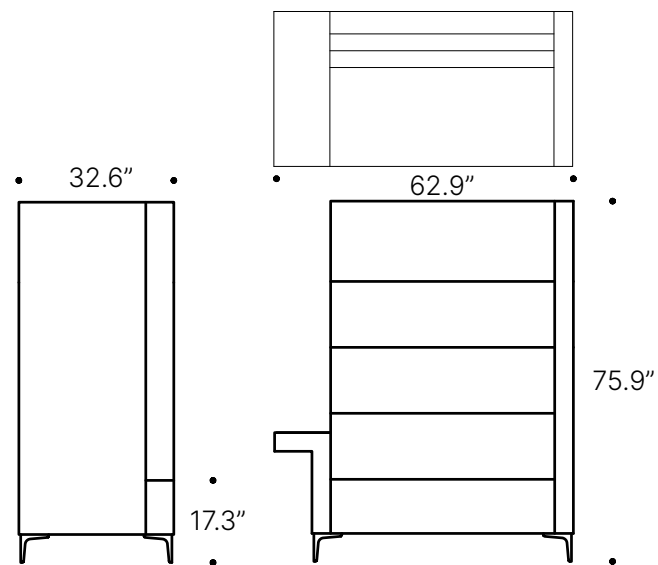
CHEHS3S



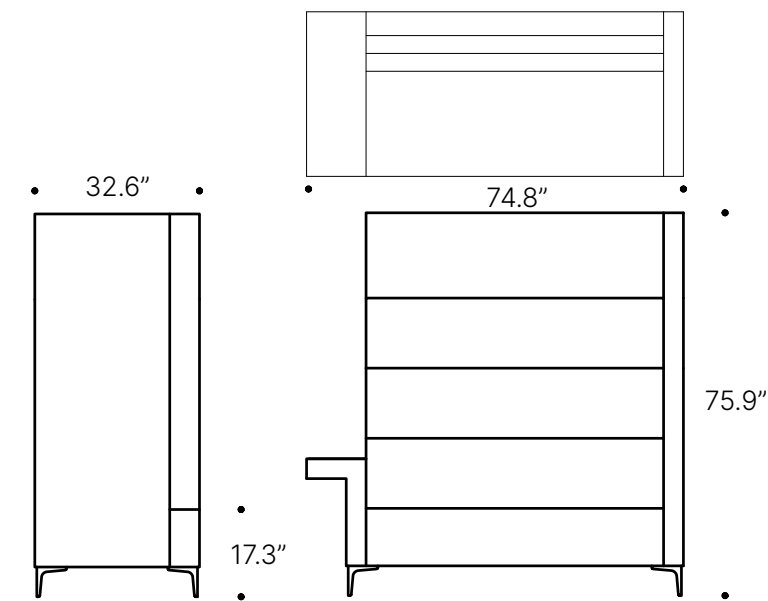
CHETS3S



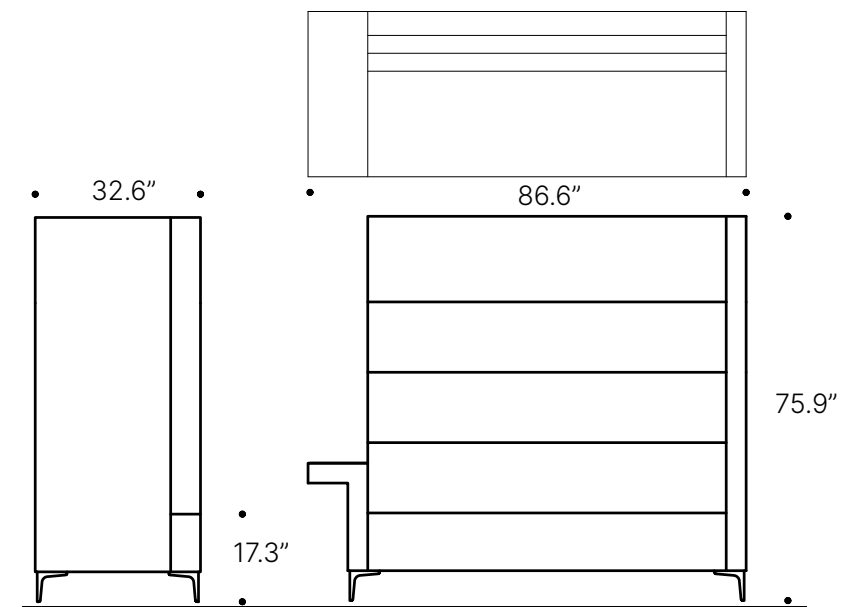
CHEHS1R / CHEHS1L



CHEHS2R / CHEHS2L



CHEHW2R / CHEHW2L

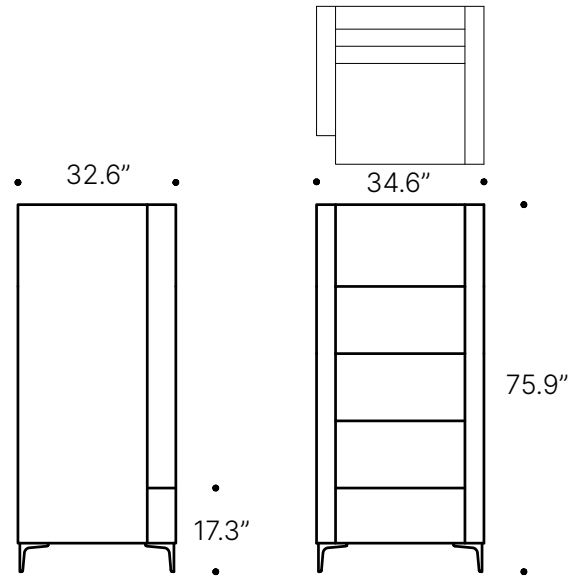


CHEHS3R / CHEHS3L

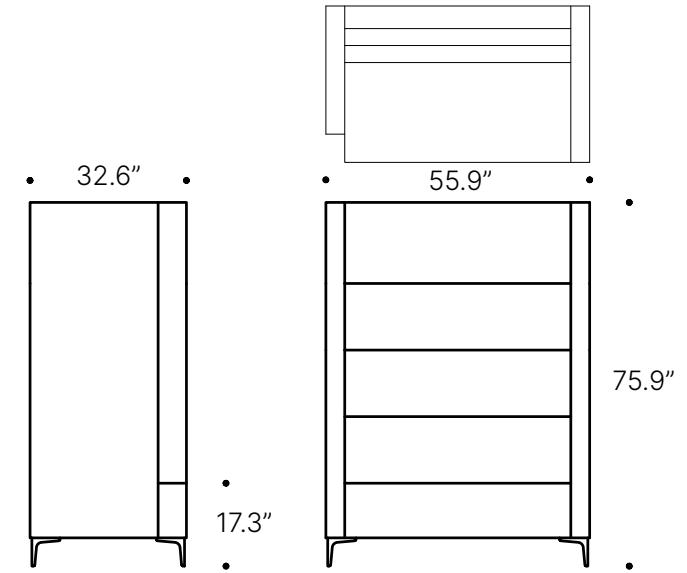


# CARA EXTRA HIGH

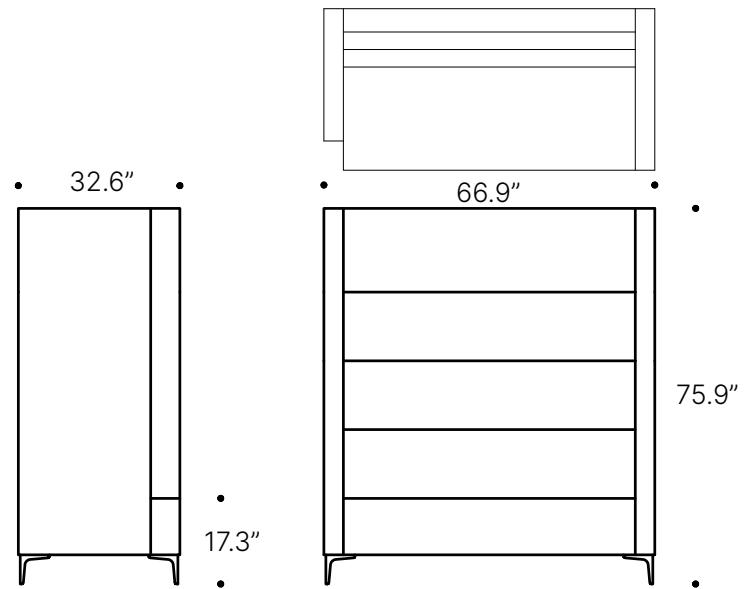
Dual upholstery is available at an additional charge. The textile details and the location of the textiles on the product must be specified.



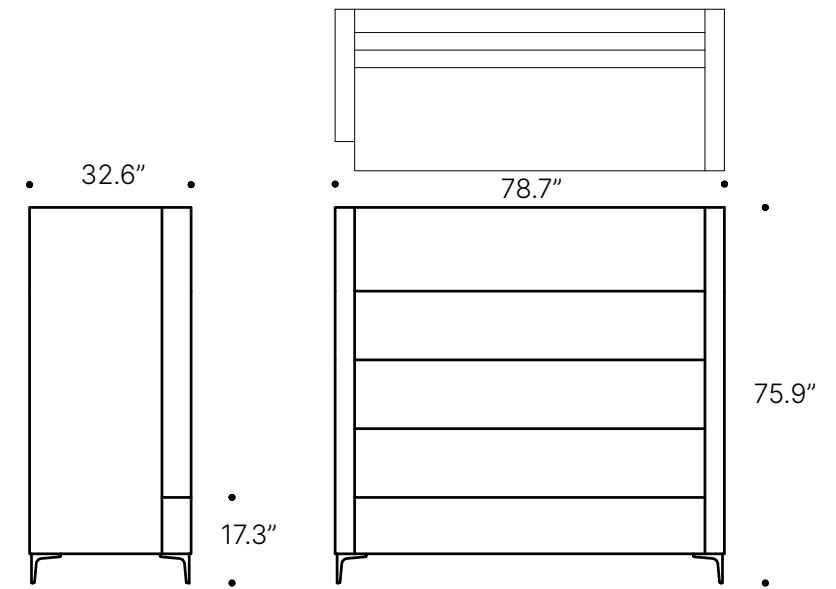
CHEHS1G



CHEHS2G



CHEHW2G



CHEHS3G