



# MODA

Dual upholstery is available at an additional charge. The textile details and the location of the textiles on the product must be specified.

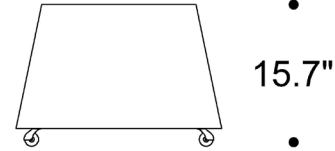
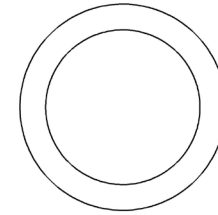
The following stitch designs are available X, S, Z, T, and O. When specifying a special stitch select the type of stitch and the color of the thread referencing our standard RAL colors as a guide and we will match the color accordingly.

### SPECIAL STITCHING\*

'X' TYPE STITCHING	
'S' TYPE STITCHING	
'Z' TYPE STITCHING	
'T' TYPE STITCHING	
'O' TYPE STITCHING	

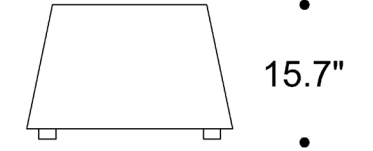
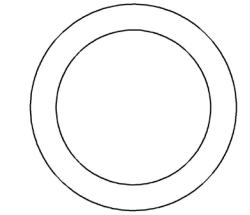
\*SUBJECT TO EXTRA COST  
\*NOT AVAILABLE FOR ALL PRODUCTS

• 23.6" •



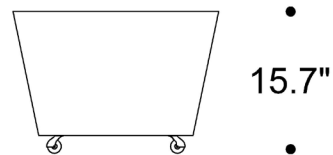
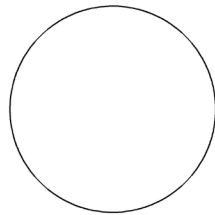
MDRO6NC

• 23.6" •



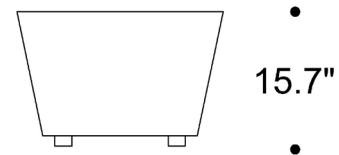
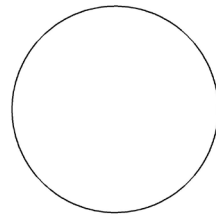
MDRO6NF

• 23.6" •



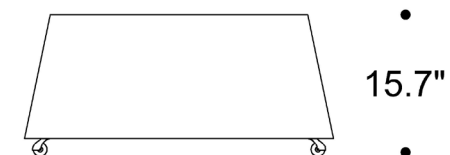
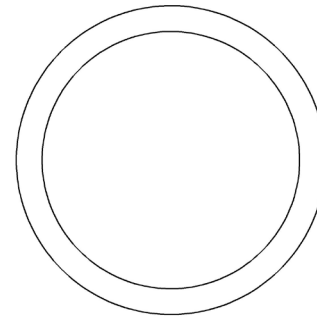
MDRO6WC

• 23.6" •



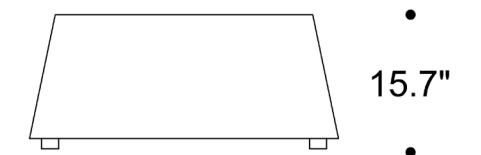
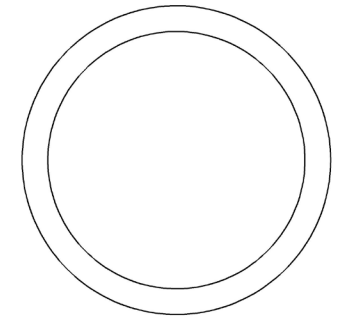
MDRO6WF

• 35.4" •



MDR09NC

• 35.4" •

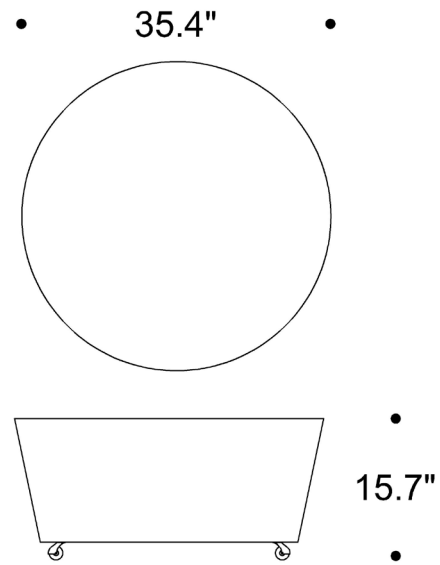


MDR09NF

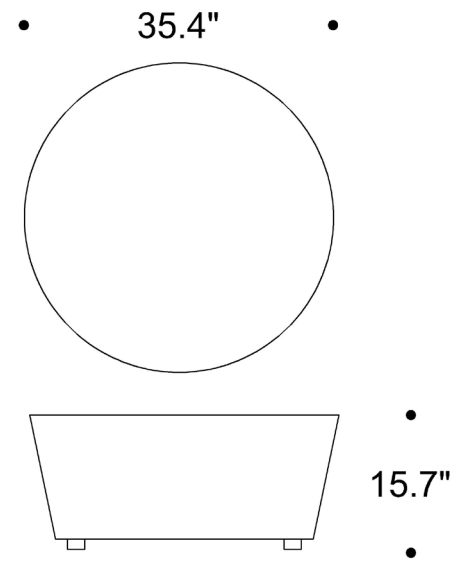


# MODA

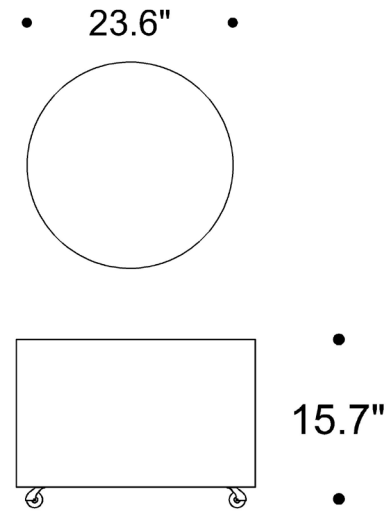
Dual upholstery is available at an additional charge. The textile details and the location of the textiles on the product must be specified.



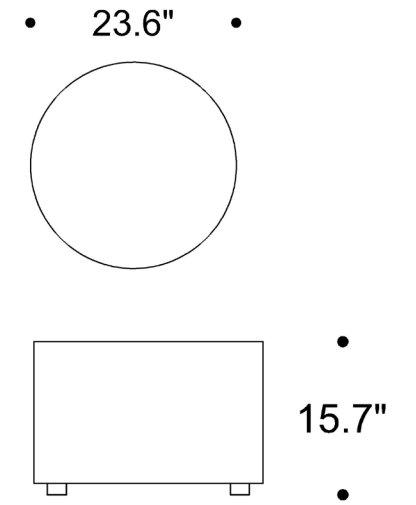
MDRO9WC



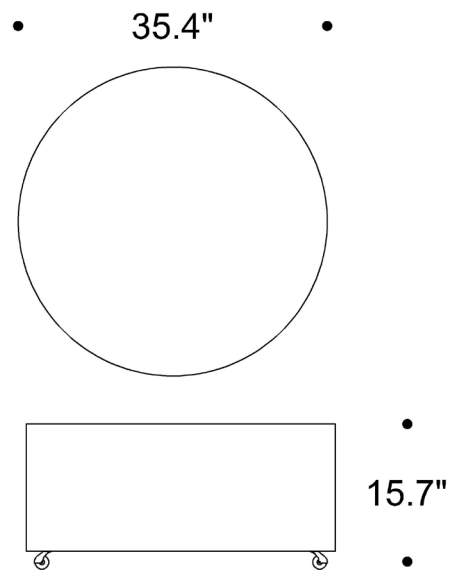
MDRO9WF



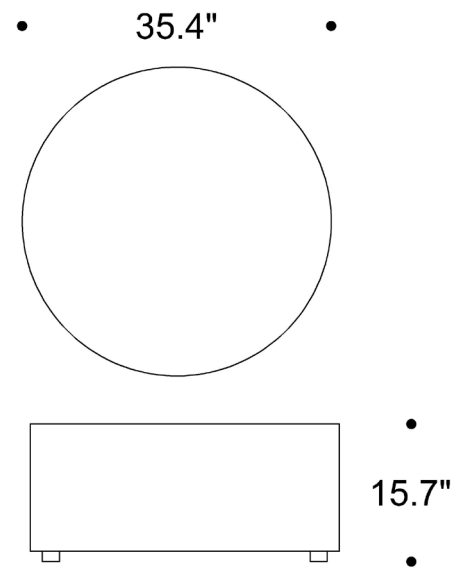
MDRO6OC



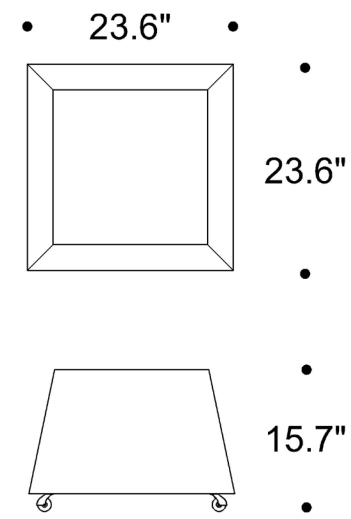
MDRO6OF



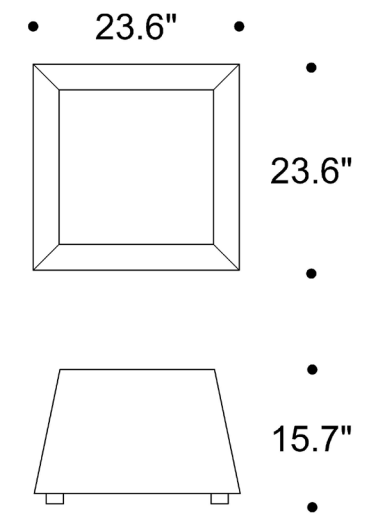
MDRO90C



MDRO90F



MDSQ6NC



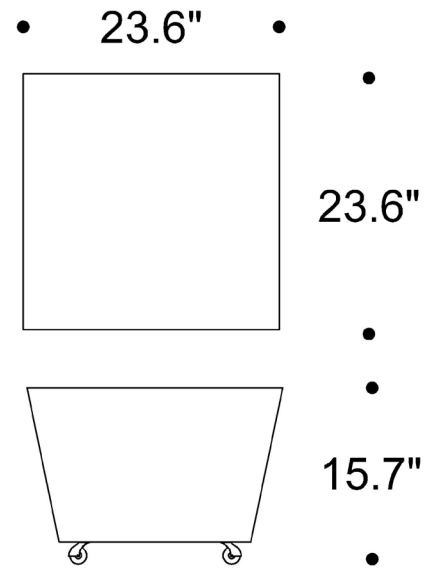
MDSQ6NF



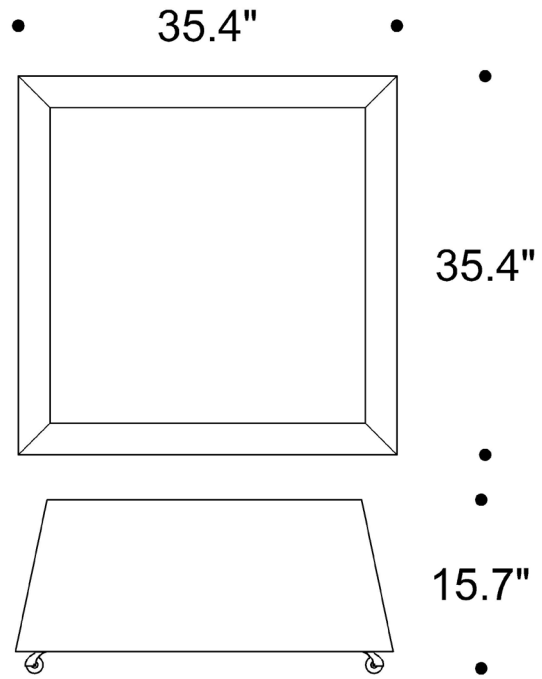
# MODA

Dual upholstery is available at an additional charge. The textile details and the location of the textiles on the product must be specified.

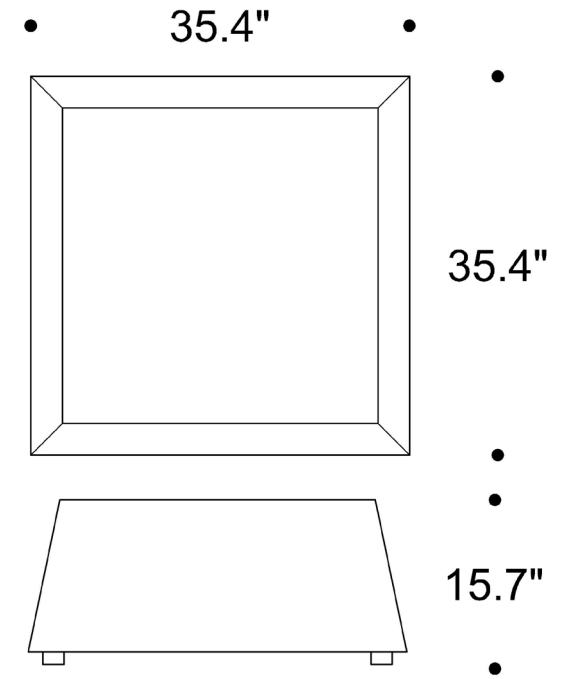
MDSQ6WC



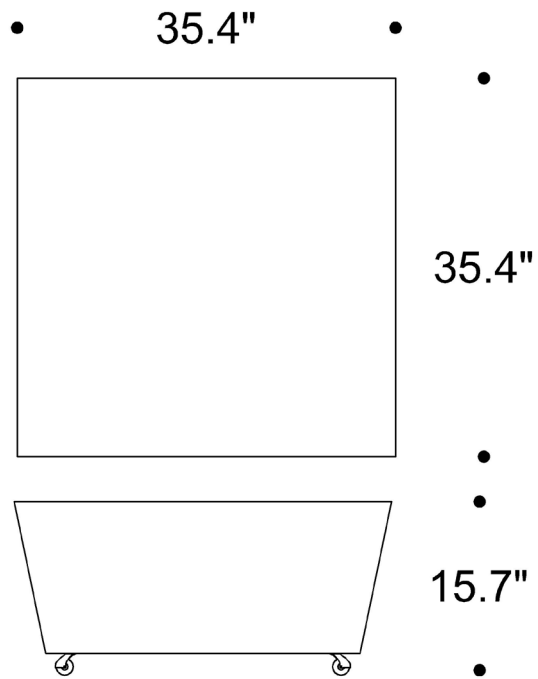
MDSQ9NC



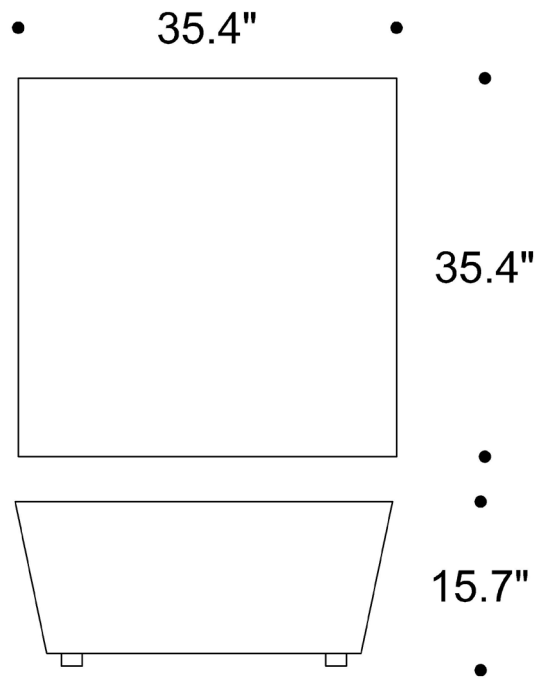
MDSQ9NF



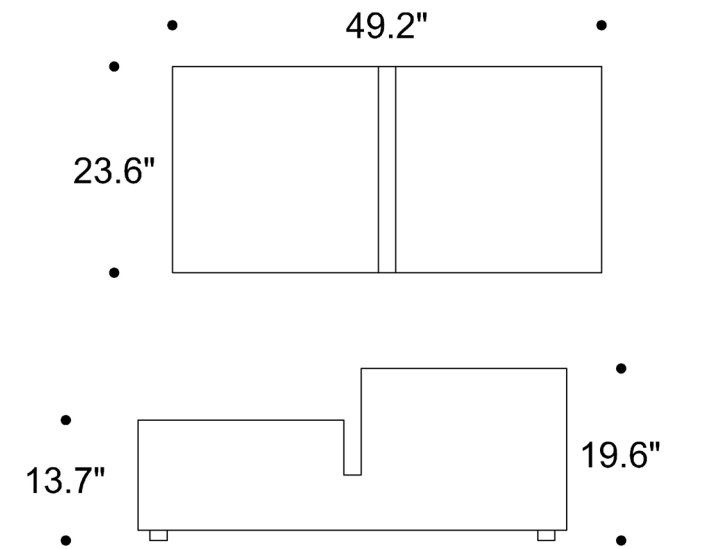
MDSQ9WC



MDSQ9WF



MD2L612

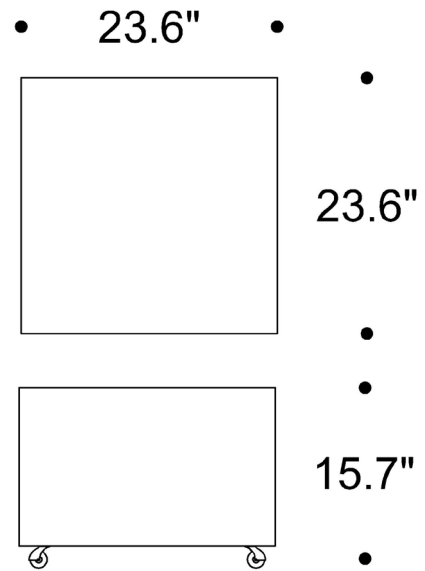




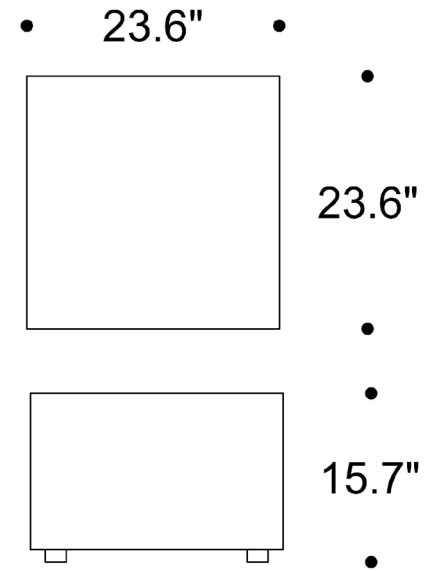
# MODA

Dual upholstery is available at an additional charge. The textile details and the location of the textiles on the product must be specified.

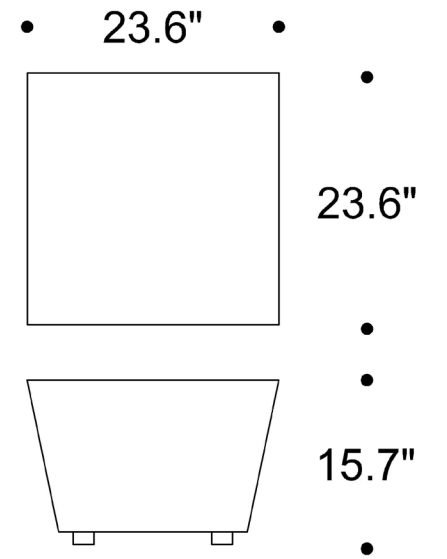
MDSQ6WC



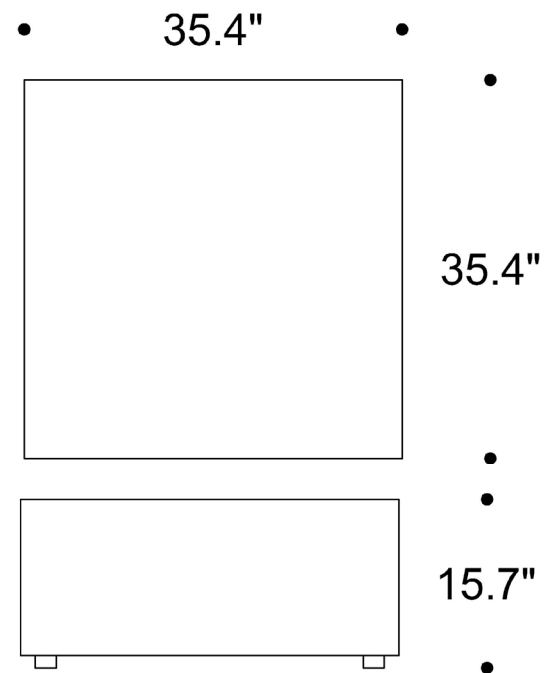
MDSQ9NC



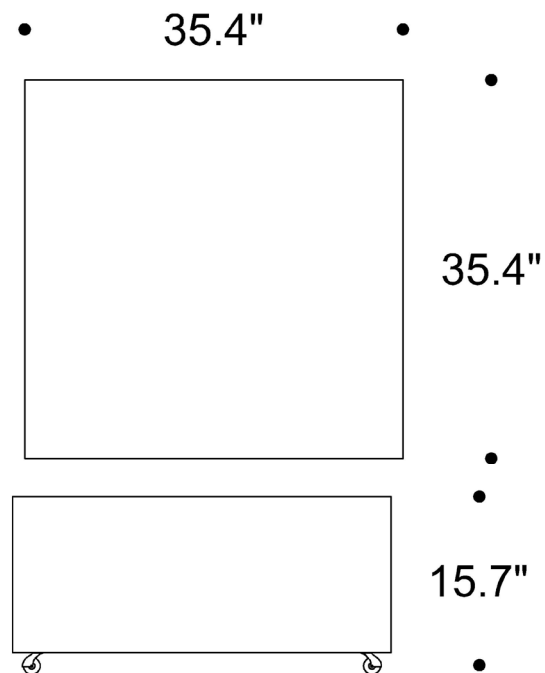
MDSQWF



MDSQ9OF



MDSQ9OC



MDCU104

