



PINTO

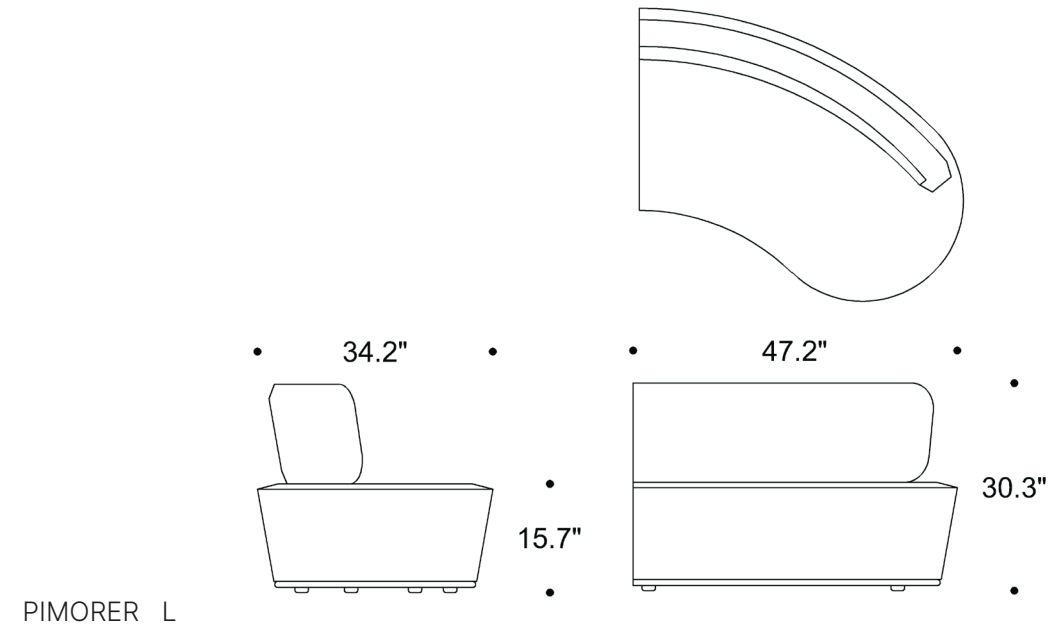
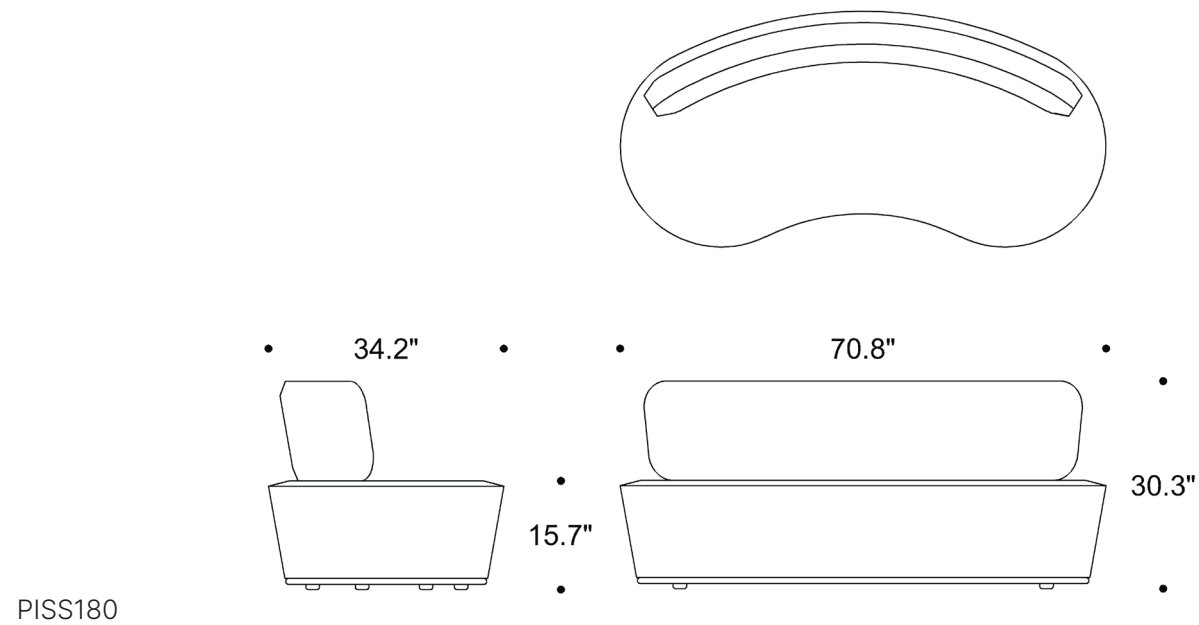
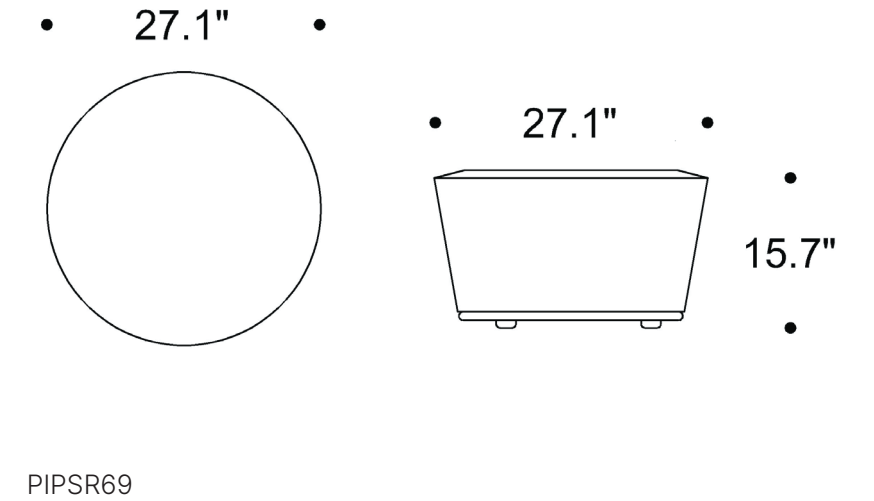
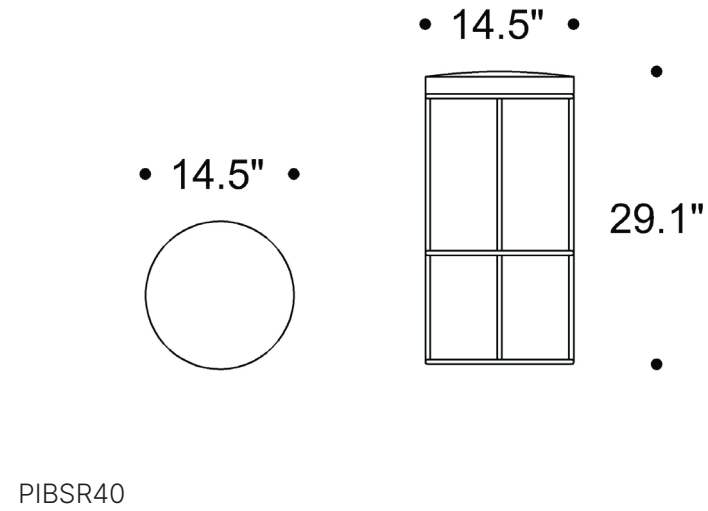
Dual upholstery is available at an additional charge. The textile details and the location of the textiles on the product must be specified.

The following stitch designs are available X, S, Z, T, and O. When specifying a special stitch select the type of stitch and the color of the thread referencing our standard RAL colors as a guide and we will match the color accordingly.

SPECIAL STITCHING*

'X' TYPE STITCHING	
'S' TYPE STITCHING	
'Z' TYPE STITCHING	
'T' TYPE STITCHING	
'O' TYPE STITCHING	

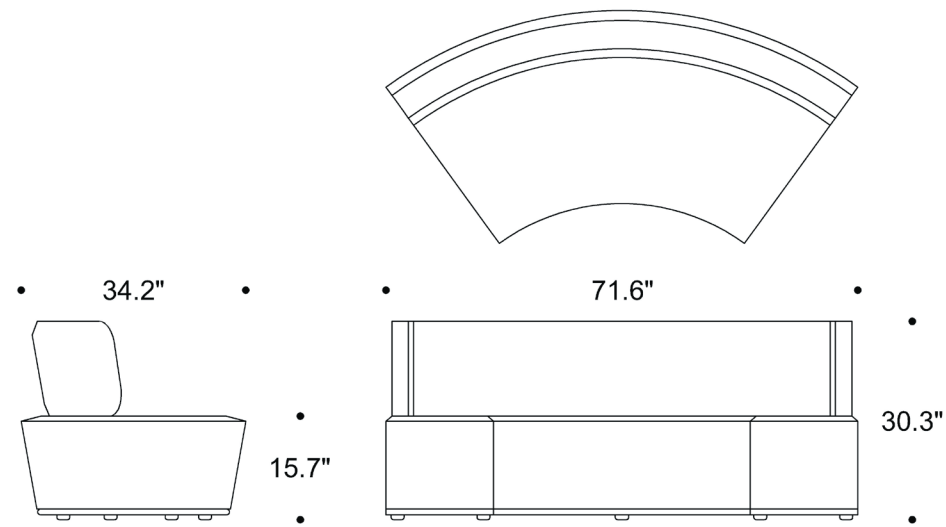
*SUBJECT TO EXTRA COST
*NOT AVAILABLE FOR ALL PRODUCTS



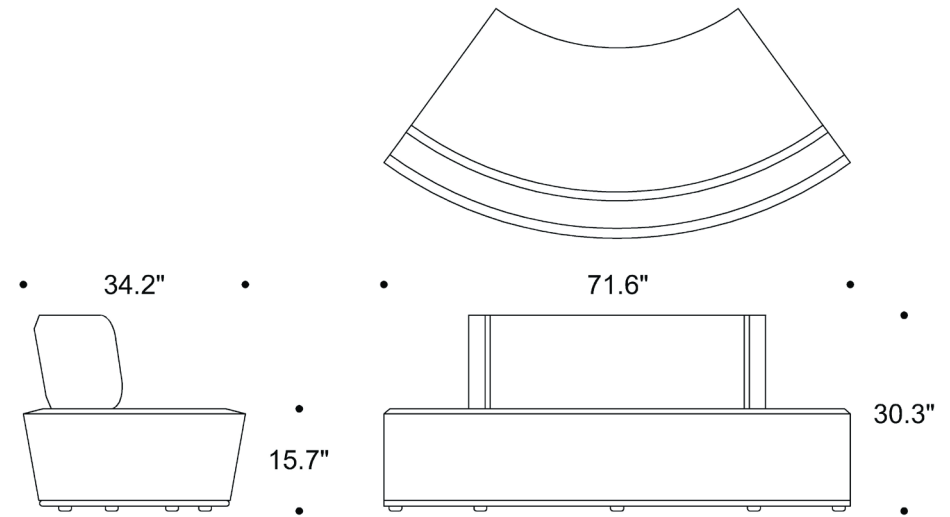


PINTO

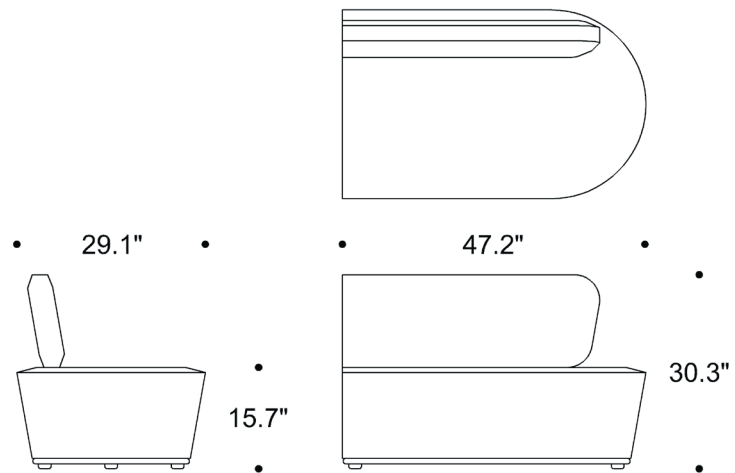
Dual upholstery is available at an additional charge. The textile details and the location of the textiles on the product must be specified.



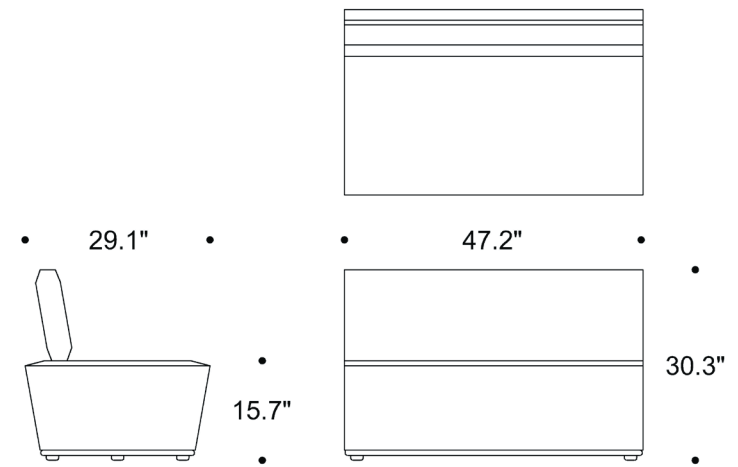
PIMORCA



PIMORCX



PIMOSER L

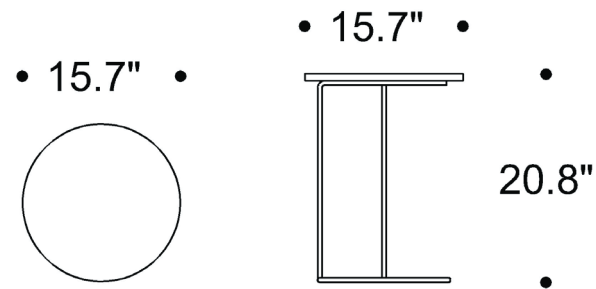


PIMOSCE

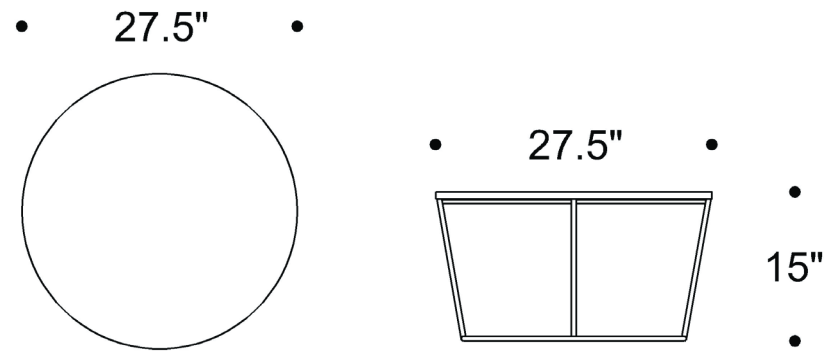


PINTO

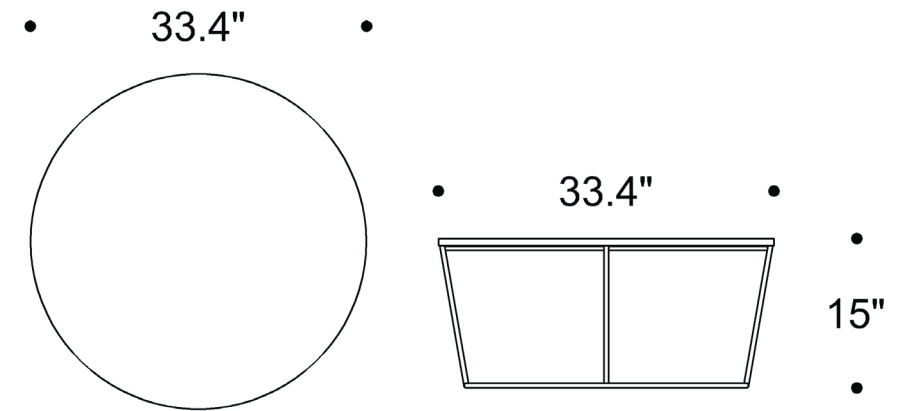
Dual upholstery is available at an additional charge. The textile details and the location of the textiles on the product must be specified.



PILTR40



PICTR70

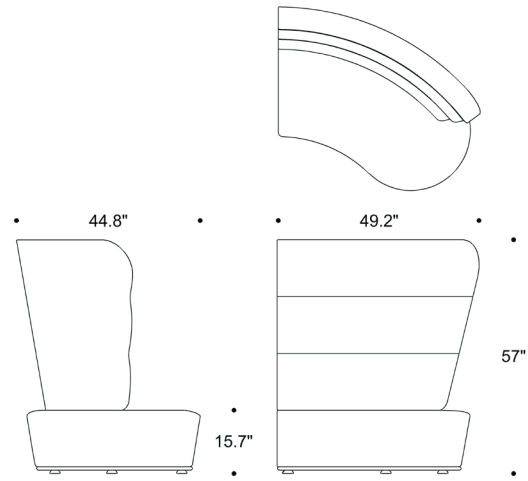


PICTR85

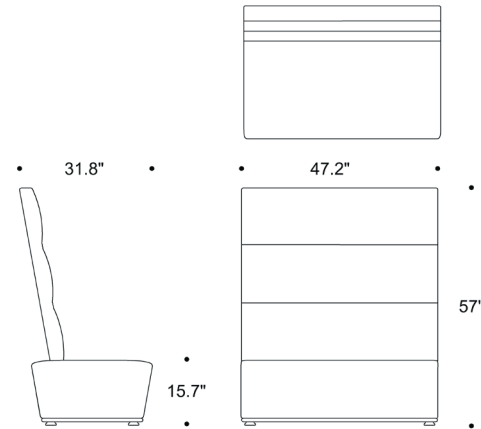


PINTO HIGH

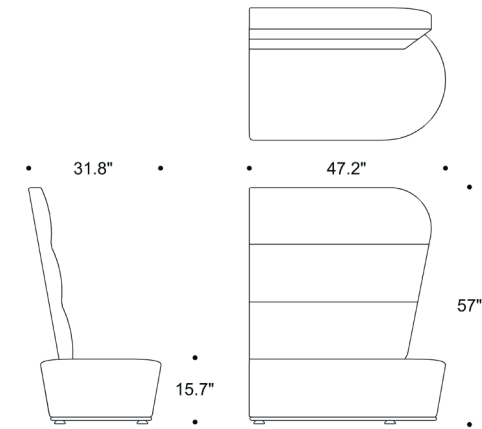
Dual upholstery is available at an additional charge. The textile details and the location of the textiles on the product must be specified.



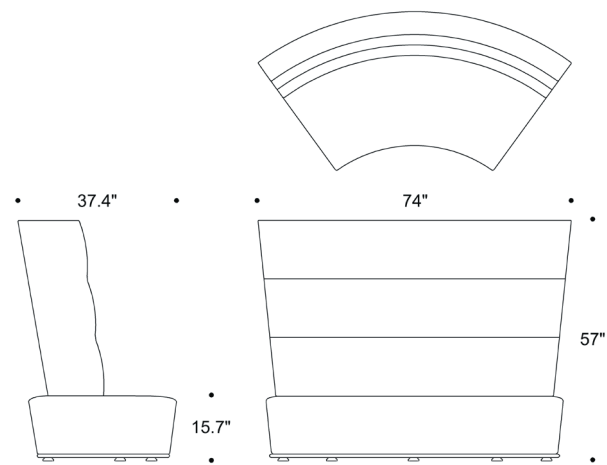
PHMORER L



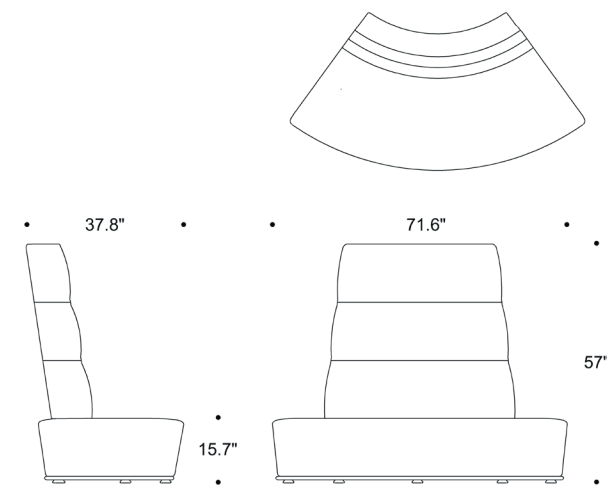
PHMOSCE



PHMOSER L



PHMORCA



PHMORCX